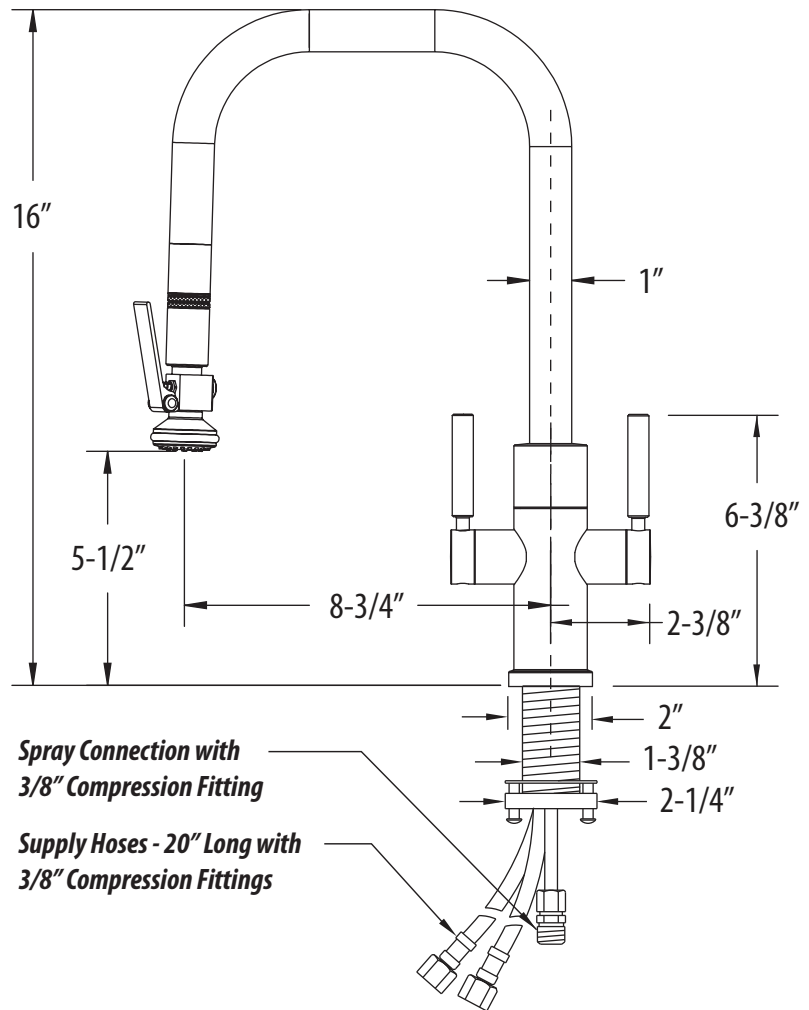
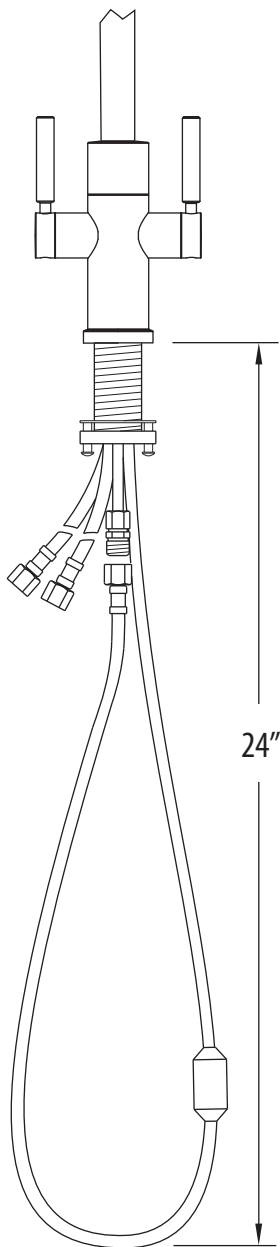


FULTON MODERN TWO HANDLED PLP PULLDOWN FAUCET / LEVER SPRAYER

10362

- **Max Counter Thickness 2-3/8"**
- **Minimum Install Hole Size 1-1/2"**



DIMENSIONS MAY VARY AND ARE SUBJECT TO CHANGE. NO RESPONSIBILITY IS ASSUMED FOR USE OF SUPERCEDED OR VOIDED DATA

