



## VOLUME CONTROL ROUGH

ROHL Shower

**R1040R** (Counterclockwise Opening)

**R1041R** (Clockwise Opening)

### FEATURES

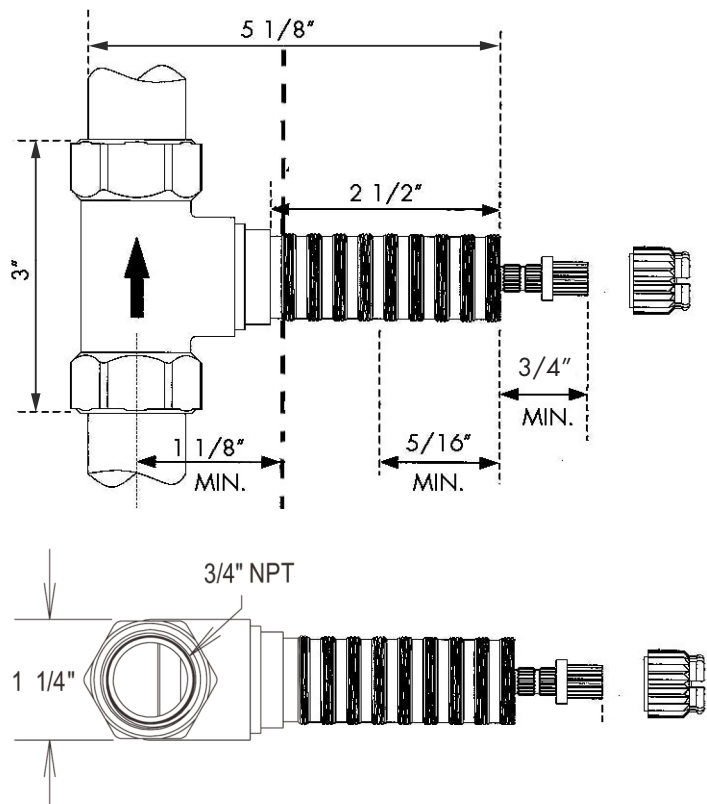
- 1 inlet, 1 outlet
- 3/4" NPT inlet
- 3/4" NPT outlet
- Back of valve to finished wall 4" min., 4 1/2" max.
- One extension kit included. Cut to length desired
- Extension kits can be stacked. Order part # R3-056
- 16 GPM
- Rough can be used with multiple product lines:
  - Perrin & Rowe®
  - Italian Country Bath
  - Palladian
  - Vincent
  - Michael Berman
  - Modern Lombardia
- To complete package, must order trim set

### COLORS/FINISHES

- Rough Only

### WARRANTY

- Limited Lifetime



## R1040R & R1041R Installation Instructions

### ROHL R1040R

Rough 3/4" Counterclockwise Opening  
Concealed Wall Valve for Volume Control

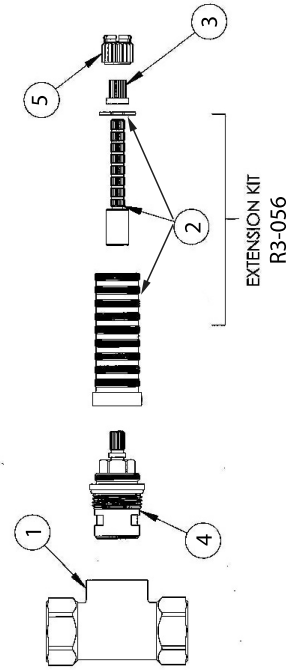
#### INSTALLATION INSTRUCTIONS

\*SUITABLE FOR PERRIN & ROWE, ROHL, COUNTRY,  
AND MICHAEL BERMAN SHOWER INSTALLATIONS

**WORKS WITH THESE TRIM SETS:**

Perrin & Rowe	Nicolazzi	Michael Berman
U.5542 U.5543	A4912	MB1951
U.5742 U.5743	A2912	
U.3240 U.3241	A4012	
U.3774 U.3775	A4212	
U.3604 U.3605		

ITEM NO.	PART NUMBER	DESCRIPTION	QTY.
1	N/A	3/4 SHUTOFF TEE	1
2	R3-056	20 PT. BROACH STABILIZER	1
		20 POINT BROACH EXTENSION	1
3	M24X1.0	ALL THREAD EXTENSION	1
4	9.15402	STEM ADAPTOR FOR PERRIN & ROWE	1
	10215	STANDARD COUNTERCLOCKWISE CARTRIDGE	1
	10214	CLOCKWISE CARTRIDGE (SOLD SEPARATELY)	1
5	R30083	STEM ADAPTOR NICOLAZZI	1



#### ROHL WARRANTY POLICY

- ROHL PRODUCTS ALL CARRY WARRANTIES AGAINST MANUFACTURING DEFECTS.
- THE R1040R VALVES CARRY A LIMITED LIFETIME WARRANTY.
- ROHL LLC WILL PROVIDE FREE OF CHARGE, AT ITS OPTIONS, REPLACEMENT PART(S) OR PRODUCT (OR A COMPARABLE ALTERNATIVE PRODUCT) TO REPLACE THOSE WHICH HAVE PROVEN DEFECTIVE IN MATERIALS OR WORKMANSHIP.

#### SPARE PARTS AND SERVICE:

ROHL  
3 PARKER  
IRVINE, CA 92618  
P (714) 557-1933  
F (714) 557-8635  
WWW.ROHLHOME.COM

## R1040R & R1041R Installation Instructions

**FINISHED WALL**

Adaptors NOT needed if used for Michael Berman Volume Control

\*Attention Installer: There are two adaptors on the valve. Please reference trim set for correct adaptor.

**NOTE: Valves must be installed according to direction of flow**

**REQUIRED MEASUREMENTS**

**A** = 1 1/8" MIN.  
**B** = ~5/16" (MUST LEAVE MIN. 5/16" EXPOSED OR TRIM WILL NOT FIT)  
**C** = ~3/4" (MUST LEAVE MIN. 3/4" EXPOSED OR HANDLE WILL NOT ATTACH)

**BEFORE USE:**

- CAREFULLY CHECK THE INSTALLATION FOR LEAKS.
- IF FURTHER WORK IS GOING TO BE DONE IN THE VICINITY OF THE VALVE AND TRIM, COVER THE INSTALLATION WITH A PLASTIC BAG TO HELP AVOID DAMAGE TO THE FINISH.

**CARE AND MAINTENANCE:**

- RECOMMEND OCCASIONAL CLEANING WITH WARM SOAPY WATER FOLLOWED BY POLISHING WITH A SOFT CLOTH TO KEEP THE PLATED FINISH IN GOOD CONDITION.
- DO NOT USE ABRASIVE LIQUIDS, POWDERS, OR PADS TO CLEAN THE PRODUCT. YOU WILL DAMAGE THE FINISH AND VOID THE WARRANTY.

**SPECIFICATIONS**

TEMPERATURE RANGE:

- MINIMUM 34°F
- MAXIMUM 185°F

RECOMMENDED OPERATING PRESSURE:

- MINIMUM 15 PSI
- MAXIMUM 75 PSI

**INSTALLATION NOTES**

- MUST HAVE BOTH ROUGH AND TRIM TO COMPLETE THE INSTALLATION.
- FLUSH THE PLUMBING SYSTEM BEFORE INSTALLING THIS PRODUCT.
- MUST FOLLOW DIMENSIONS SUPPLIED FOR INSTALLATION AND MAKE SURE ALLOWANCE IS MADE FOR FINISHED WALL MATERIAL SUCH AS TILE, ETC.
- MUST INSURE THE HANDLE IS VERTICAL WHEN THE VALVE IS IN THE "OFF" POSITION.

**NOTE: Lever should be in UP position for 'off' (Michael Berman trim shown).**

**IMPORTANT:** WE RECOMMEND THE USE OF A LICENSED PLUMBER TO INSTALL THIS PRODUCT. PLEASE READ AND UNDERSTAND THE PROVIDED INSTALLATION INFORMATION BEFORE PROCEEDING.