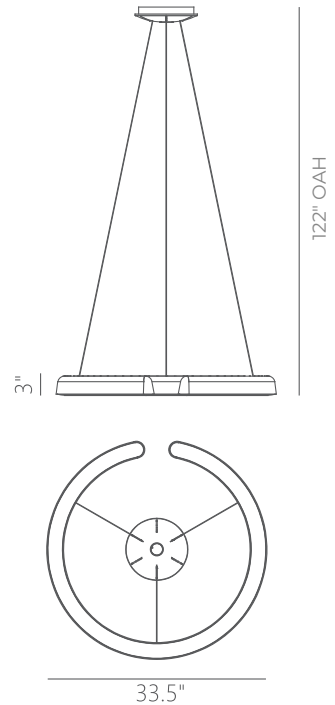


PROJECT			
DATE		TYPE	



PP020017-MH



ENSO

Material: Aluminum	Color Temp.: 3000K
Lamp Shade: Polyurethane	CRI (Ra): ≥90
Finish: MH - Matte White	LED Rated Life: ≈50,000 Hours
	Dimming: 100% - 10%



	PP020018
Wattage:	87W
Voltage:	100-130V
Total Lumens:	8400
Delivered Lumens:	3795

Dimmable with ELV or TRIAC Dimmer (Not Included)