

Features

- Solid brass construction
- Complements Tolmin product series
- Cross Handle is ADA compliant when used with Newport Brass valves
- Intended for use with: Bidets - Balanced Pressure Shower - Roman Tub Faucets - Shower Control Valves and Diverters - Wide Spread Faucets - Wall Mounted Faucets

Note: Also intended for use as a replacement Handle Trim assembly for deck and wall-mounted faucets, tubs and bidets.

Codes / Standards Compliance

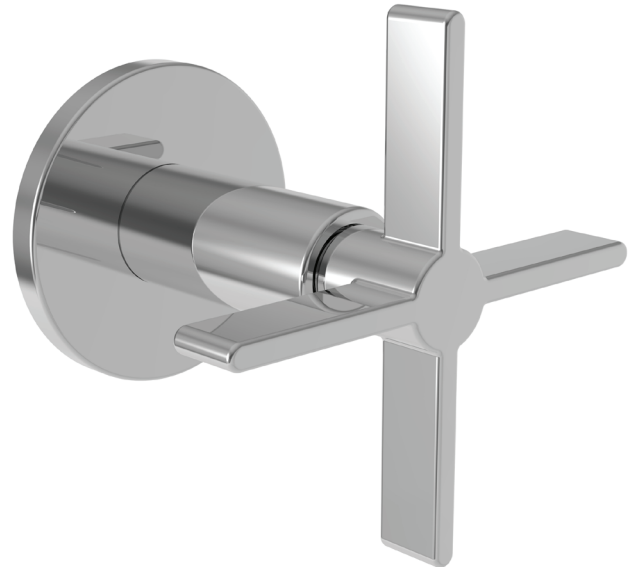
Meets or exceeds the following at date of manufacture:

- Energy Policy Act of 1992
- All applicable US Federal and State material regulations

Colors / Finishes

- 10B: Oil Rubbed Bronze
 - 15: Polished Nickel
 - 15S: Satin Nickel - PVD
 - 26: Polished Chrome
- Other: Refer to the Newport Brass catalog for additional color/finish options.

Cross Handle Trim
3-722



Specified Model

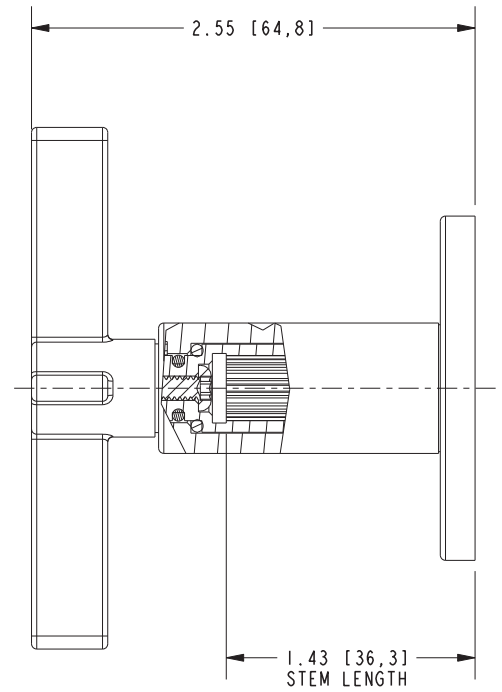
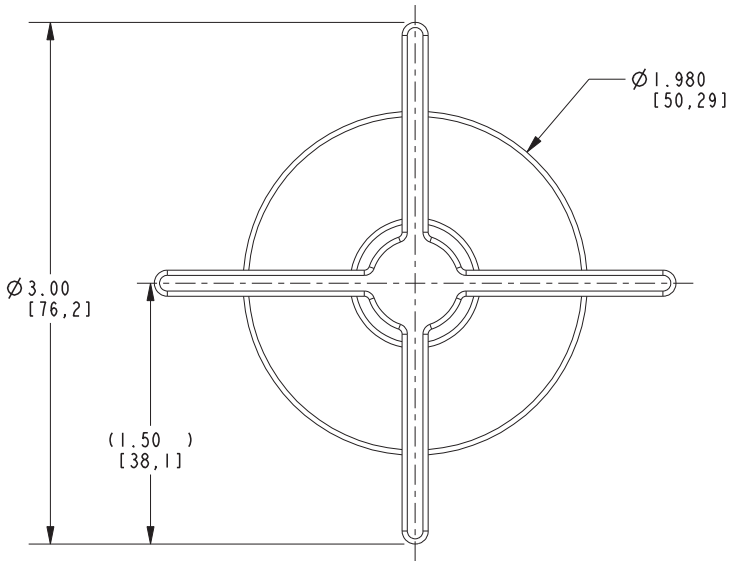
Model	Description	Colors Finishes
3-722	Cross Handle Trim	<input type="checkbox"/> 10B <input type="checkbox"/> 15 <input type="checkbox"/> 15S <input type="checkbox"/> 26 <input type="checkbox"/> Other

Product Specification: Add size designator and "Color / Finish" suffix to Model number, below.

Trim components shall be of solid brass construction. Trim shall include Escutcheon and Handle. Handle assemblies can be used as part of a shower system specification for (a) shower control valves and diverters BUT ALSO can be ordered as replacement parts for (b) widespread faucets (c) wall mounted faucets (d) Roman Tub faucets and (e) BP shower handle replacements for nearly all collections (except Kiara, for example). Handle with Escutcheon Trim shall be Newport Brass Model 3-722/____.

3-722

Product Dimensions are provided for reference only. For specific product installation guidelines, please reference the Installation Instructions of the product being installed.



Tolmin Lever Trim Handle 3-722