

300 PSI CWP Iron Body Gate Valves

Fire Protection Post Indicator Valve • Bolted Bonnet • Indicator Post Pattern • Non-Rising Stem • Resilient Wedge • Epoxy Coated Interior/Exterior

300 PSI/20.6 Bar Non-Shock Cold Working Pressure

UL/ULC LISTED • FM APPROVED •
CERTIFIED LEAD-FREE* TO NSF/ANSI 372



MATERIAL LIST

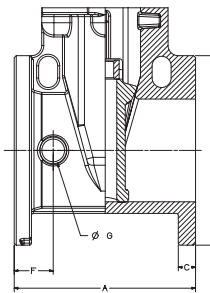
PART	SPECIFICATION
1 Valve Body	Ductile Iron ASTM A536
2 Resilient Wedge	Ductile Iron ASTM A536 / EPDM ASTM D2000
3 Wedge Nut	ASTM B584 UNS C83600
4 Stem	Stainless Steel 304
5 Bonnet Gasket	EPDM ASTM D2000
6 Bonnet Screw	Corrosion-resistant Steel
7 Bonnet	Ductile Iron ASTM A536
8 Stem Primary O-Ring	EPDM ASTM D2000
9 Stem Thrust Washer (lower)	Bronze ASTM B584 UNS C83600
10 Stem Thrust Washer (upper)	Stainless Steel ASTM A276 UNS S41000
11 Gland Seal O-Ring	EPDM ASTM D2000
12 Stem Seal Bushing	ASTM B584 UNS C83600
13 Stem Secondary O-Ring	EPDM ASTM D2000
14 Gland Flange	Ductile Iron ASTM A536
15 Stem Ring Wiper	EPDM ASTM D2000
16 Square Operating Nut	Cast Iron ASTM A126-B
17 Operating Nut Washer	ASTM A276 SS304
18 Operating Nut Screw	Alloy Steel ASTM A574M Zinc Plated
19 Gland Flange Screw	Alloy Steel ASTM A574M Zinc Plated
20 Indicator Flange Screw	Alloy Steel ASTM A574M Zinc Plated
21 Indicator Post Flange	Cast Iron ASTM A126-B
22 UL/FM Label (not shown)	Aluminum
23 Drive Screw, Label (not shown)	Stainless Steel 304



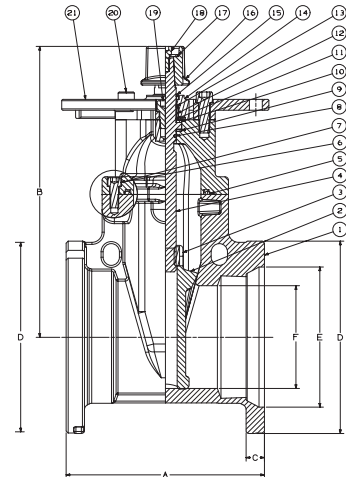
F-609-RWS
Flanged



M-609-RWS
Mechanical



F-609-RWS
Flg x Flg



M-609-RWS
MJ x MJ

Coating — Electrostatically applied fusion-bonded epoxy 8-20 mil. inside and outside meets or exceeds AWWA C550.

NOTE: Flanged valve is consistent with ANSI B16.1 Class 125.

DIMENSIONS—WEIGHTS—QUANTITIES

Size	M-609-RWS Dimensions						Bolt				Weight	
	A	B	C	D	E	F	Circle	Flange	Turns			
In. mm.	In. mm.	In. mm.	In. mm.	In. mm.	In. mm.	In. mm.	In. mm.	Holes	To Open	Lbs.	Kg.	
4	100	10.0 254	13.5 344	1.00 26	9.1 232	6.0 153	3.9 100	7.50 191	4	12.5	72	33
6	150	11.5 292	17.4 441	1.06 27	11.1 283	8.1 206	5.9 150	9.50 241	6	15.0	101	46
8	200	11.5 292	20.8 529	1.12 28	13.4 340	10.3 261	7.9 200	11.75 298	6	16.7	148	67
10	250	13.0 330	24.2 614	1.18 30	15.7 400	12.3 313	9.8 250	14.00 356	8	20.8	236	107
12	300	14.0 356	27.0 700	1.25 32	18.0 456	14.4 367	11.8 300	16.25 413	8	25.0	353	160

Size	F-609-RWS Dimensions						Bolt				Weight	
	A	B	C	D	F	G	Circle	Flange	Turns			
In. mm.	In. mm.	In. mm.	In. mm.	In. mm.	In. mm.	In. mm.	In. mm.	Holes	To Open	Lbs.	Kg.	
4	100	9.0 229	13.5 344	0.94 24.0	9.0 229	2.13 54	1.42 36	7.50 191	8	12.5	75	34
6	150	10.5 267	17.4 441	1.00 25.4	11.0 279	2.24 57	1.54 39	9.50 241	8	15.0	106	48
8	200	11.5 292	20.8 529	1.13 28.6	13.5 343	2.48 63	1.54 39	11.75 298	8	16.7	163	74
10	250	13.0 330	24.2 614	1.19 30.2	16.0 406	3.15 65	1.82 46	14.25 362	12	20.8	256	116
12	300	14.0 356	27.0 700	1.25 31.8	19.0 483	2.91 74	1.82 46	17.00 432	12	25.0	394	181
14	—	15.0 381	32.0 813	1.38 35.0	21.0 533	2.95 75	3.15 80	18.75 476	—	—	—	—
16	—	16.0 400	34.5 876	1.50 38.0	23.5 597	3.07 78	3.15 80	21.25 540	—	—	—	—

FREEZING WEATHER PRECAUTION:
Subsequent to testing a piping system, gate valve should be in an open position to allow complete drainage.

WARNING: This product can expose you to chemicals including lead, which is known to the State of California to cause cancer and birth defects or other reproductive harm. For more information go to www.P65Warnings.ca.gov.

Visit our website for the most current information.

*Weighted average lead content ≤ 0.25%