

Technical Specification

Adjustable-Length Curved Shower Rod

DN2160

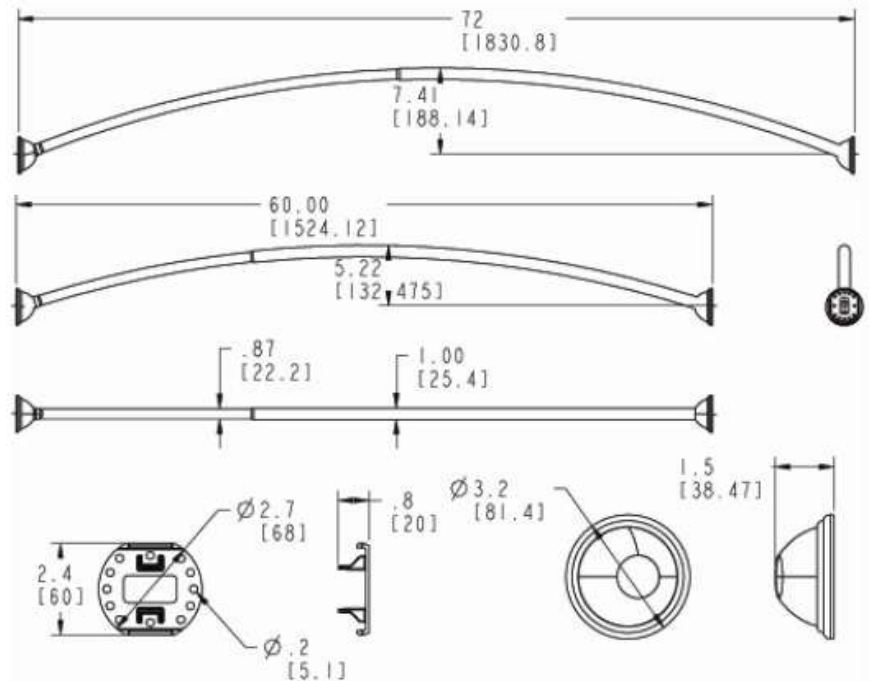
Stock Numbers:

- ❑ **DN2160BN – Adjustable-Length Curved Shower Rod**
Brushed Nickel Finish
Adjusts to fit shower enclosures between 54-inches and 72-inches
- ❑ **DN2160CH – Adjustable-Length Curved Shower Rod**
Chrome Finish
Adjusts to fit shower enclosures between 54-inches and 72-inches
- ❑ **DN2160OWB – Adjustable-Length Curved Shower Rod**
Old World Bronze Finish
Adjusts to fit shower enclosures between 54-inches and 72-inches

Materials:

Curved Shower Rods are made of .028 (22 gauge) seamless type 430 stainless steel. **Decorative Covers** are stamped from .020 type 443 stainless steel. **Pivoting Mounting Post** is made from POM. The **screw** in the pivoting post assembly is made from stainless steel. **Rod connector** is made from Polyethylene. **Decorative Cover Insert Rings** are made from POM.

Dimensions:



Stock Number: _____ Adjustable-Length Curved Shower Rod By Creative Specialties