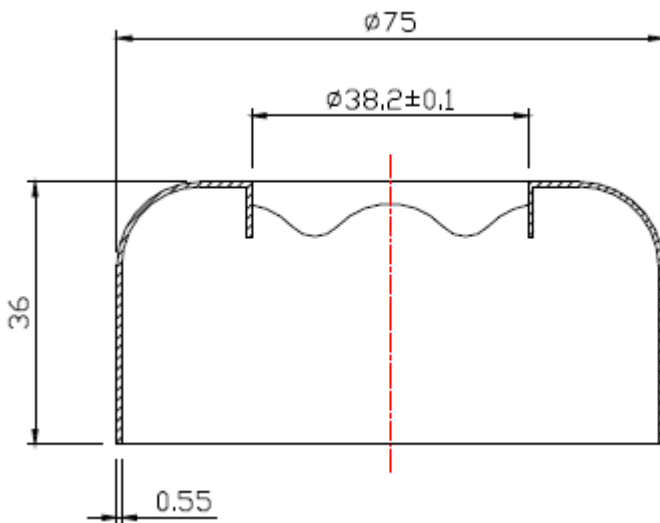
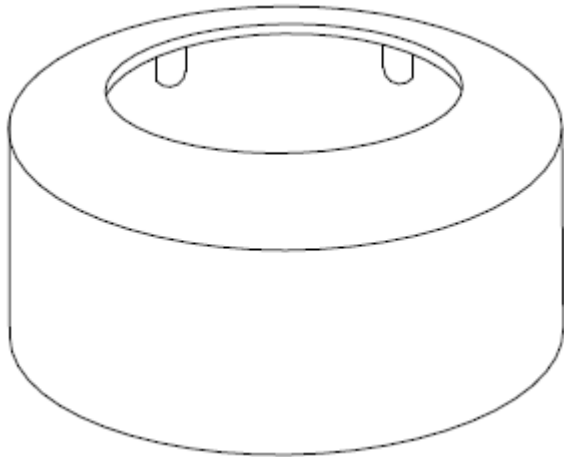


SPECIFICATIONS

- For 1-1/2" P-trap
- Polished Steel



MLBOE112



No.	Part Name	Material
1	Body	Steel