

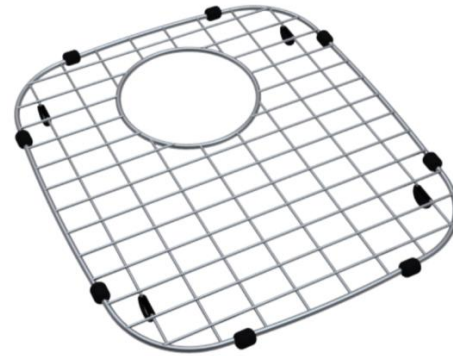
# Sink Bottom Grid

## Product Specifications



### Features

- Custom designed to protect and cover the bottom of your sink
- Properly positioned opening for convenient access to drain or disposer
- Built from solid stainless steel to resist corrosion and provide years of service



## MLUD32189BG

**Overall Size:** 13-5/8" x 12-1/4" x 1"

**Bowl Placement:** Left

**Drain Placement:** Center Rear

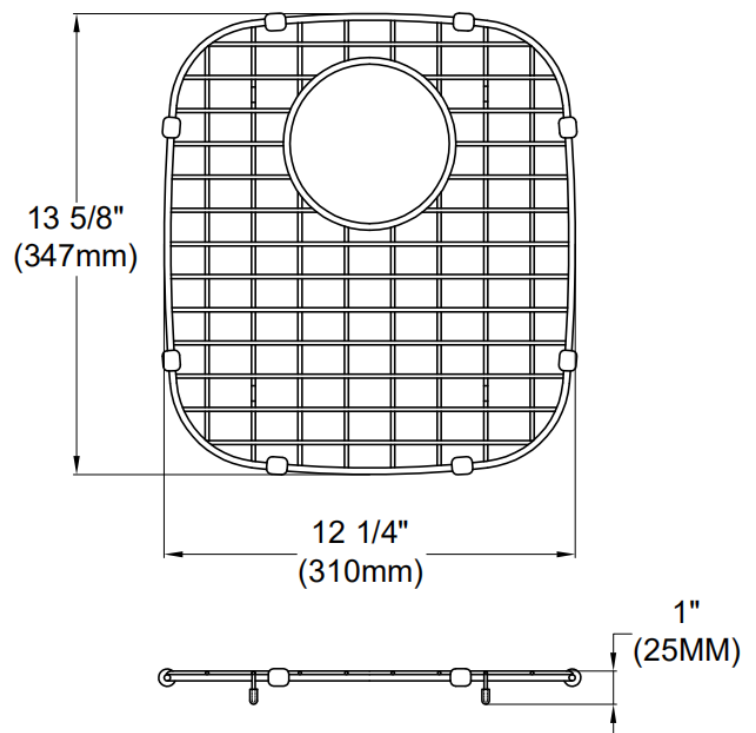
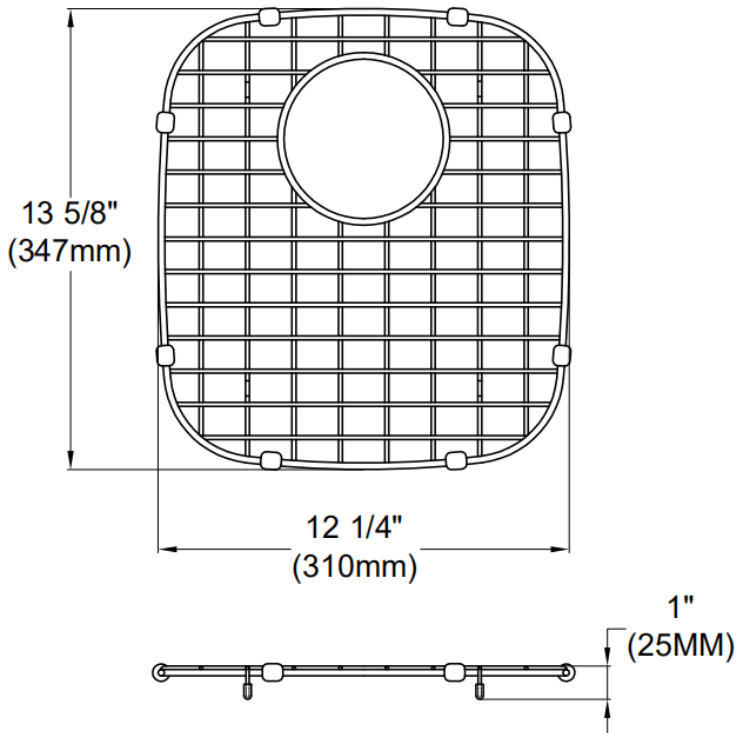
**Material:** Stainless Steel

**Overall Size:** 13-5/8" x 12-1/4" x 1"

**Bowl Placement:** Right

**Drain Placement:** Center Rear

**Material:** Stainless Steel



All dimensions listed are nominal. Mainline® reserves the right to make product and material changes at any time without notice.



Contact your sales representative for more information or visit our website at [mainlinecollection.com](http://mainlinecollection.com)