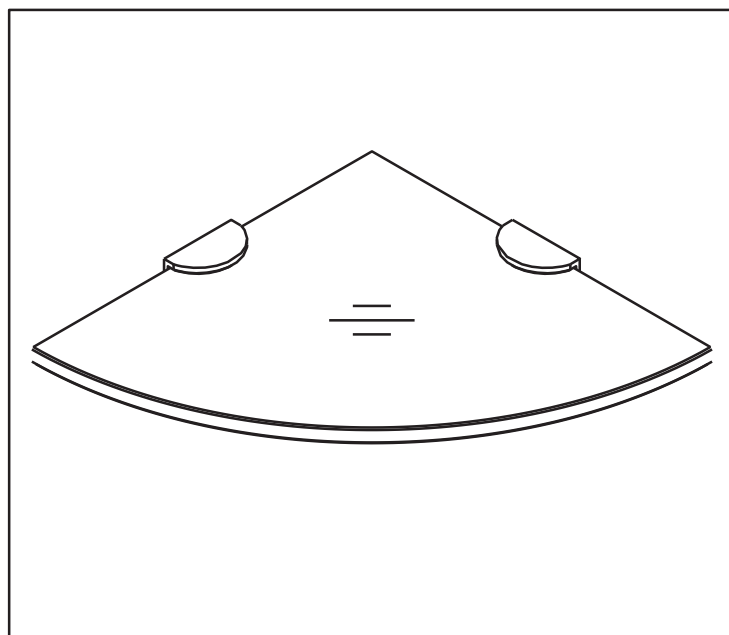


# GLASS CORNER SHELF



**10" x 10" x 3/8"**  
**GLASS SHELF**

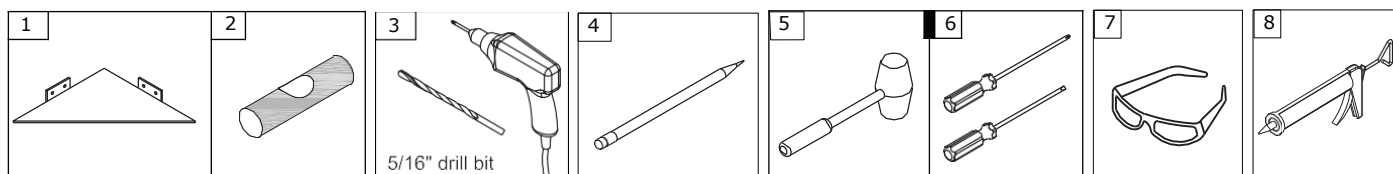
**25.4 x 25.4 x 0.95 cm**  
**REPISA DE VIDRIO**



**LXSS1010**

## TOOLS REQUIRED / HERRAMIENTAS REQUERIDAS

NOT INCLUDED / NO INCLUIDO



POSITIONER

LEVEL

DRILL AND  
ASSORTED BITS  
TALADRO Y SURTIDO  
DE BROCAS

PENCIL

LÁPIZ

RUBBER Mallet

MARTILLO DE GOMA

SCREW  
DRIVERS

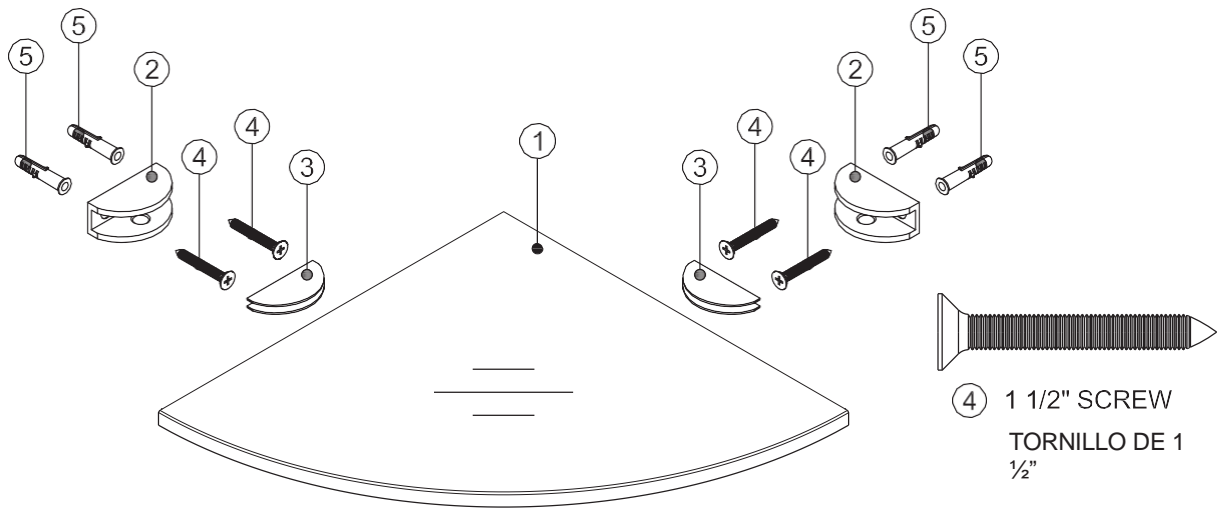
DESTORNILLADORES

SAFETY  
GLASSES

CRISTALES  
INASTILLABLES

SILICO  
NE  
SILICON  
A

Need Help? If you have any questions or concerns regarding our warranty plan, please email: [customerservice@luxartcollection.com](mailto:customerservice@luxartcollection.com)



**PARTS LIST / LISTA DE PARTES**

<p>x 1</p>	<p>x 2</p>	<p>x 4</p>	<p>x 4</p>	<p>x 4</p>
<p>GLASS SHELF REPISA DE VIDRIO</p>	<p>GLASS CLIP CLIP PARA VIDRIO</p>	<p>PLASTIC GASKET JUNTA DE PLÁSTICO</p>	<p>1 1/2" SCREW TORNILLO DE 1 1/2"</p>	<p>WALL PLUG TACOS PARA PARED</p>

**WARNING: Safety glasses should always be worn when working with drill.**  
**ADVERTENCIA: SIEMPRE DEBEN USARSE GAFAS DE SEGURIDAD AL TRABAJAR CON TALADRO.**

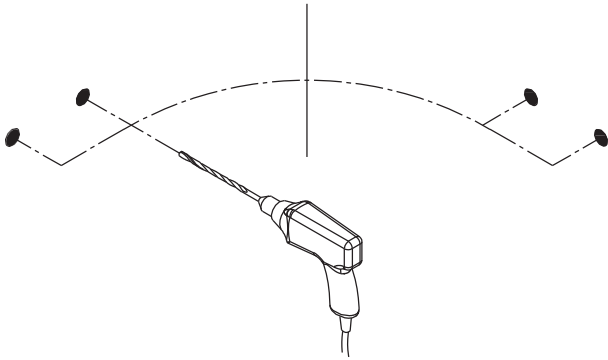
**1**

Select the desired position of the shelf. Level and mark the location.  
 Seleccionar la posición deseada para el estante. Nivelar y marcar ubicaciones.

## 2. A

Drill holes about 1 1/2" deep at each of the marked locations.

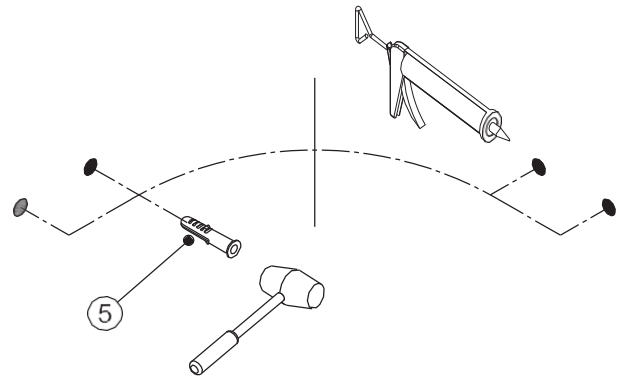
Taladras orificios de aproximadamente 1 1/2" de profundidad en cada una de las ubicaciones marcadas.



## 2. B

Apply silicone into drilled holes and insert wall plugs (5).

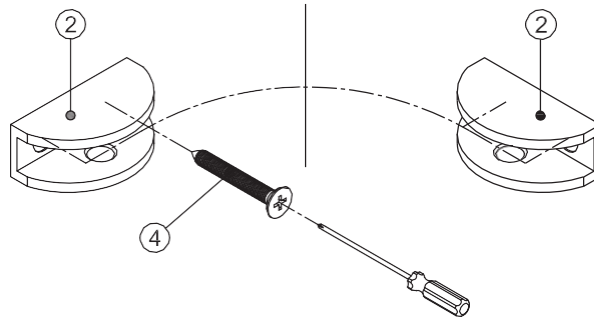
Aplique la silicona en agujeros taladrados y Insertar los tacos para pared (5).



## 3

Insert Glass Clip (2).

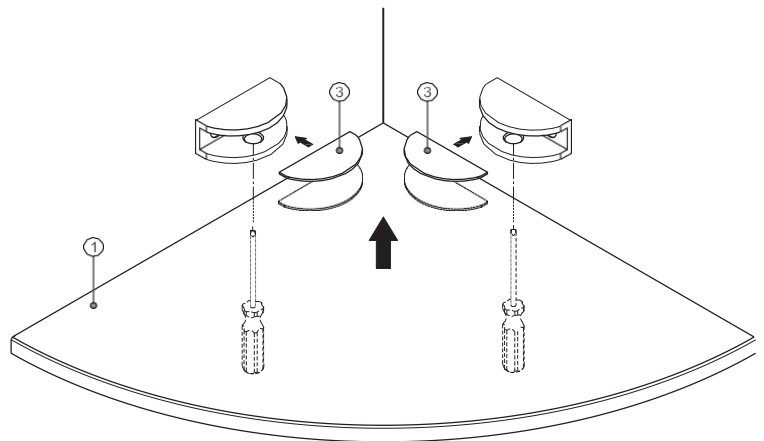
Insertar el clip para vidrio (2).



## 4

Insert Glass Shelf (1) as illustration indicates. Tighten up the setting screw.

Insertar la repisa (1) de vidrio tal como indica la ilustración.  
Apretar bien el tornillo de ajuste.



# ATTENTION CONSUMER:

## IMPORTANT WARRANTY INFORMATION

PLEASE DO NOT DISCARD

Thank you for your purchase.

In order to be eligible for product warranty, please register your door on our website within two (2) weeks of installation.

Go to:

<https://www.luxartcollection.com/pages/register-warranty>

Or scan the QR Code below and follow the instructions.



For any questions or comments  
about your purchase,  
please contact our Customer Service at:  
[customerservice@luxartcollection.com](mailto:customerservice@luxartcollection.com)

