

Features

- 36-inch minimum base cabinet width.
- Single bowl with side platform.
- Versatile design allows the side platform to be installed on right or left.
- No faucet holes.
- SilentShield® sound-absorption technology offers quieter performance.
- Includes a dishwasher-safe utensil tray.
- Includes a versatile flip tray that works as a cutting board or large tray for food prep and cleaning.
- Includes six microwave and dishwasher-safe prep bowls to maintain an organized cooking station.
- Includes a large American walnut hardwood cutting board that provides a durable work surface that is beautiful, portable, and easy to clean.
- Includes a stainless steel accessory storage rack to maintain a clutter-free sink area when accessories are not in use.
- Includes a bottom bowl rack to help protect the sink basin from daily wear.
- Works with all standard countertop thicknesses. Pairs best with 3cm countertop thickness if a flush surface between counter and cutting board is desired.
- 9-1/2-inch depth provides generous workspace.
- Includes installation hardware.
- Strainer not included.

Material

- Handcrafted from 16-gauge stainless steel.

Installation

- Under-mount.

Recommended Products/Accessories

- K-8801 Sink Strainer
- K-8799 Sink Strainer

Included Components

Product consists of:

- K-6230 Utensil Tray
- K-6231 Flip Tray
- K-6232 Cutting Board
- K-6234 Sink Rack
- K-6235 Prep Bowls
- K-6236 Accessory Storage Rack
- 91915 Hardware Kit

Additional Components:

- Cut-out Template

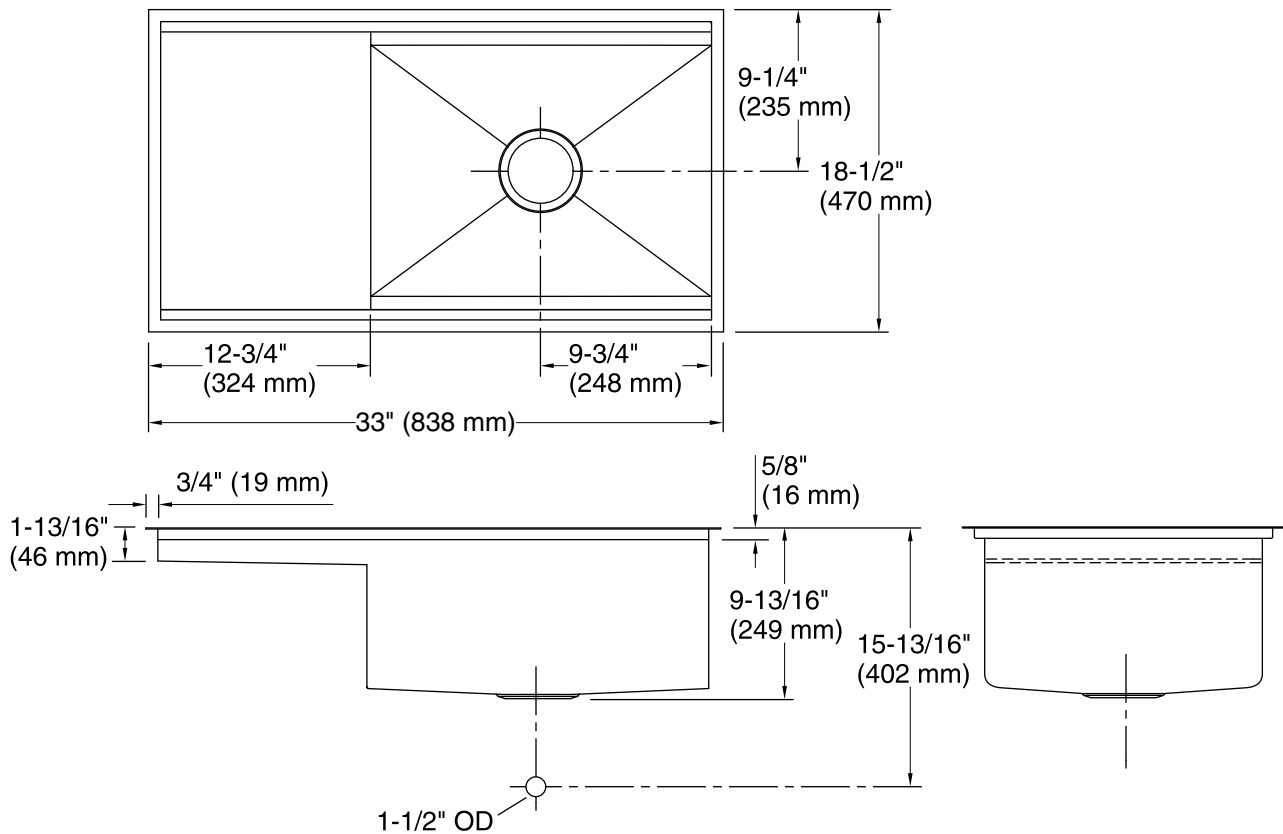


Codes/Standards

ASME A112.19.3/CSA B45.4

Lifetime Limited Warranty for KOHLER® Stainless Steel Sinks

See website for detailed warranty information.



Technical Information

All product dimensions are nominal.

Bowl configuration:	Off-set Large/small
Installation:	Under-mount
Min. base cabinet width:	36" (914 mm)
Bowl area:	Length: 31-1/2" (800 mm) Width: 17" (432 mm) Bowl depth: 9-1/2" (241 mm) Water depth: 9-1/2" (241 mm)
Drain hole:	3-5/8" (92 mm)
Template:	1109793-7, required, included

Notes

Install this product according to the installation instructions.