

Features

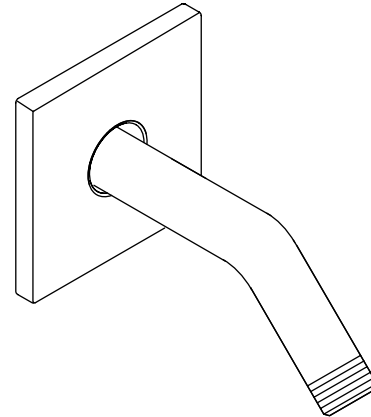
- Brass construction
- 1/2" - 14 NPT connection

**SHOWER ARM AND FLANGE
K-14679**

Codes/Standards Applicable

Specified model meets or exceeds the following:

- ASME A112.18.1/CSA B125.1



Colors/Finishes

- CP: Polished Chrome
- Other: Refer to Price Book for additional colors/finishes

Specified Model

Model	Description	Colors/Finishes	
K-14679	Shower arm and flange	<input type="checkbox"/> CP	<input type="checkbox"/> Other

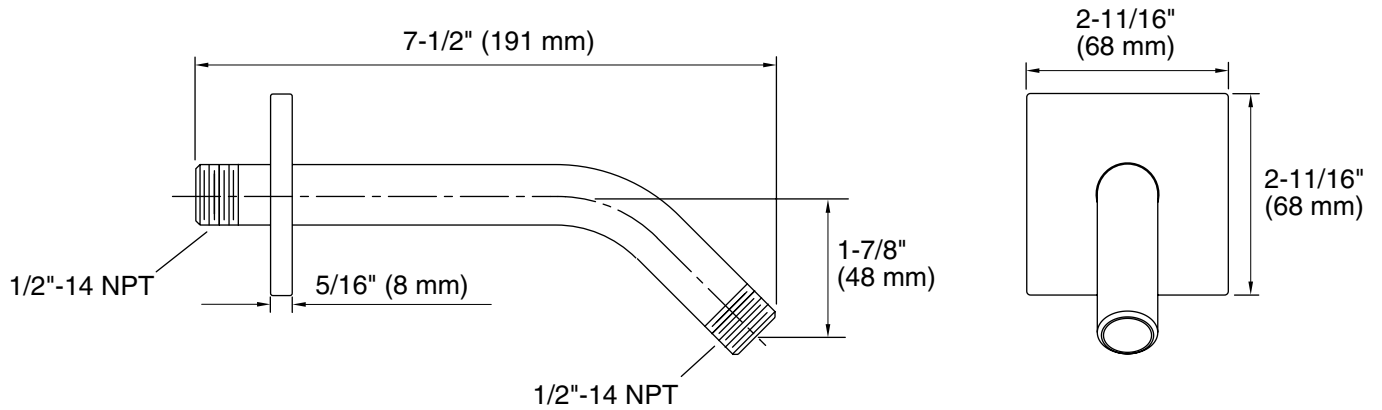
Product Specification

Shower arm and flange shall be of brass construction. Product shall have 1/2"-14 NPT thread at both ends. Product shall be Kohler Model K-14679-_____.

LOURE®

Installation Notes

Install this product according to the installation guide.



Product Diagram