



These instructions are for cabinet combination:

825-H30-BW De Soto Double Tower Hutch paired with 825-HB30 De Soto Hutch Base.

Assembly / Installation Instructions

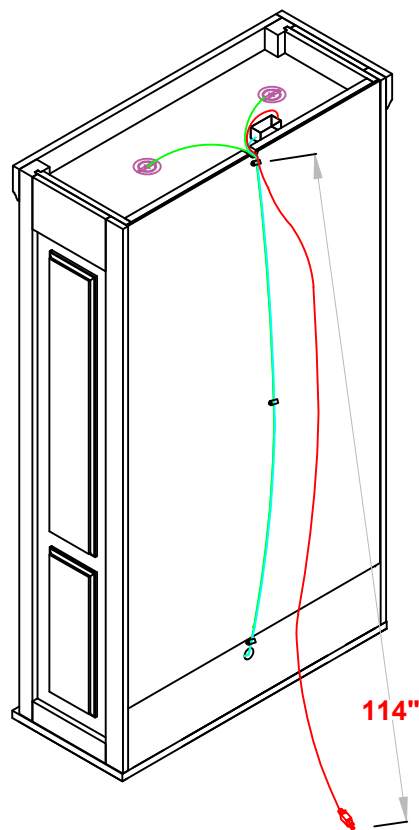
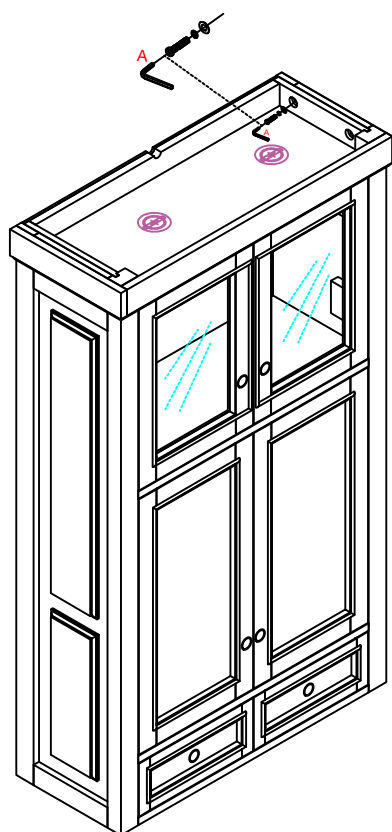
Important Notes:

You may remove the top crown moulding on either side if you wish to install these cabinets flush against a side wall. If you plan to use these cabinets as free-standing items, then please proceed to pages 03-05 .

If you plan to use these cabinets against a side wall (corner), then please follow instructions on all pages (01-05).

For your safety and to achieve the best possible installation of this vanity cabinet, James Martin Vanities always recommends you consult with a professional contractor. Two people are required for the assembly and installation of these cabinets.

A = 1 PC Allen Wrench (#4)



Note 1: If you plan to use your cabinets against a side wall, you will need to remove the side crown moulding to achieve flush installation.

Step 1 Notes: Remove the bolts and washers from the inside of the cabinet using the Allen wrench which is included inside the specially marked red color hardware bag. (this hardware bag is included with the cabinet).

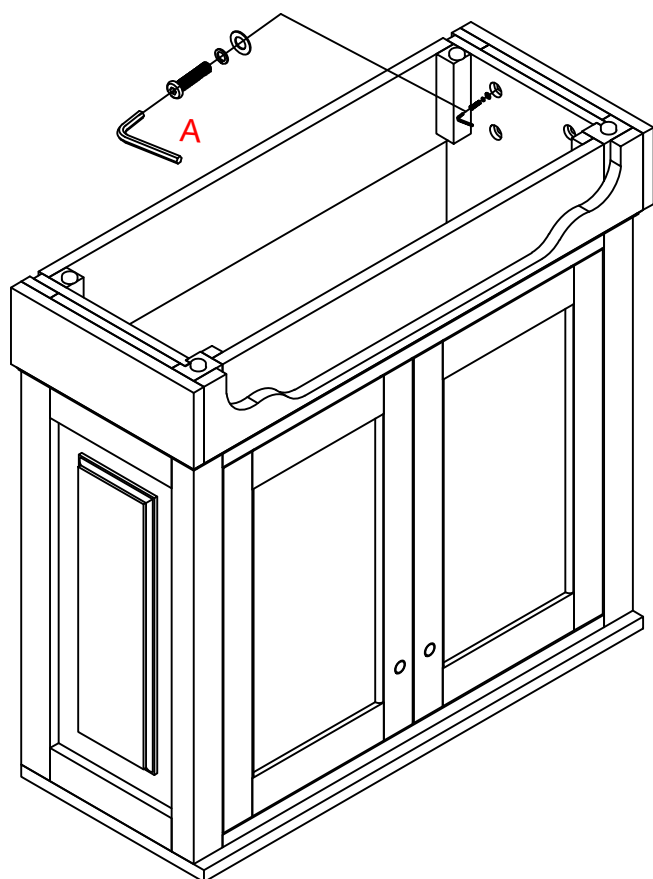
Note 2: You may wish to keep the side crown moulding piece and hardwares for future use.



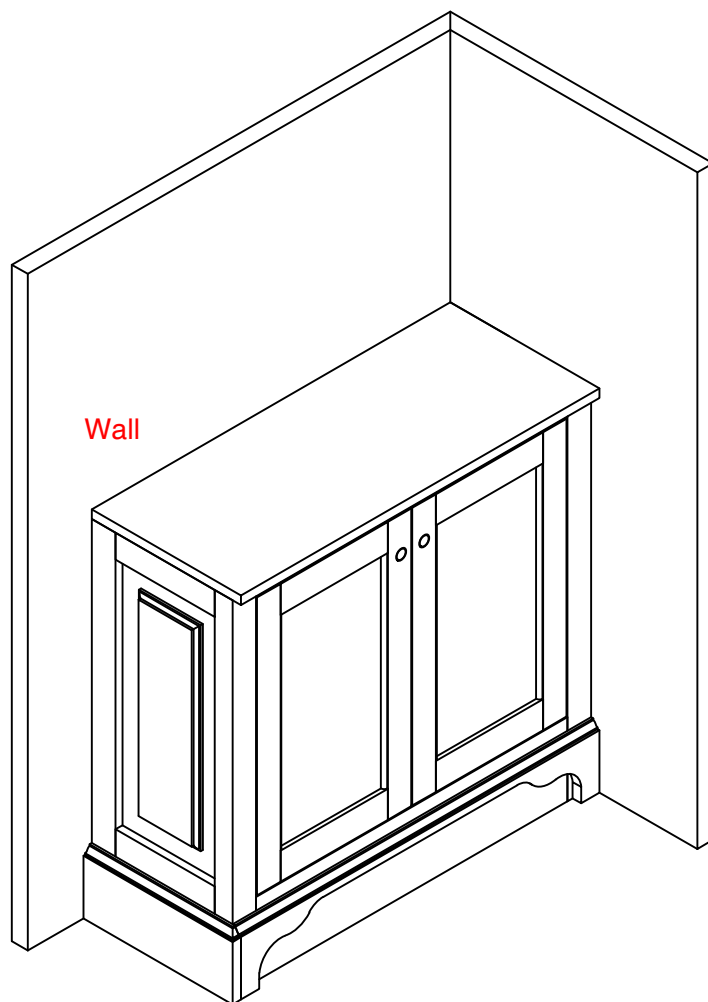
These instructions are for cabinet combination:

825-H30-BW De Soto Double Tower Hutch paired with 825-HB30 De Soto Hutch Base.

Assembly / Installation Instructions



A = 1 PC Allen Wrench (#4)



Noted 3: If you plan to use your cabinets (825-H30 + 825-HB30) against a side wall, you will also need to remove the side base moulding of 825-HB30 to achieve flush installation.

Step 2 Notes: To access the bolts which hold the base moulding in place, you will need to turn the cabinet upside down. Please use a blanket or other soft material to prevent scratching.

Step 3 Notes: Remove the bolts and washers from the inside of the cabinet using the Allen wrench which is included inside the specially marked red color hardware bag. (this hardware bag is included with the cabinet)

Note 4: You may wish to keep the side base moulding piece and hardwares for future use

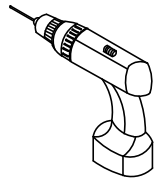


These instructions are for cabinet combination:

825-H30-BW De Soto Double Tower Hutch paired with 825-HB30 De Soto Hutch Base.

Assembly / Installation Instructions

Materials for Installation:



Drill

B=8 PCS Screws Ø4*15mm



C=2 PCS Bracket 80*50*2mm



D=2 PCS Wall Anchor

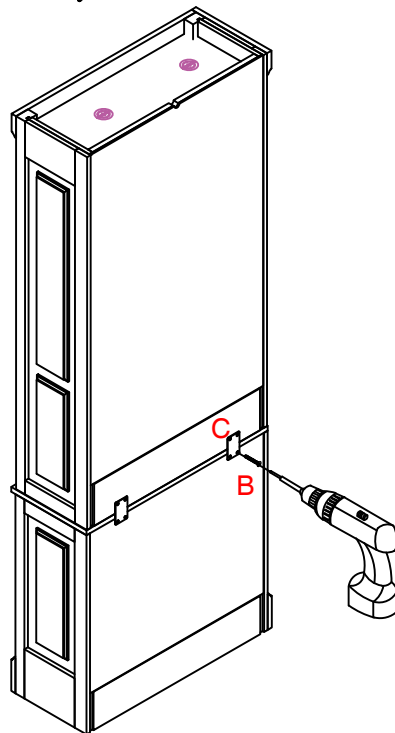


image (a)

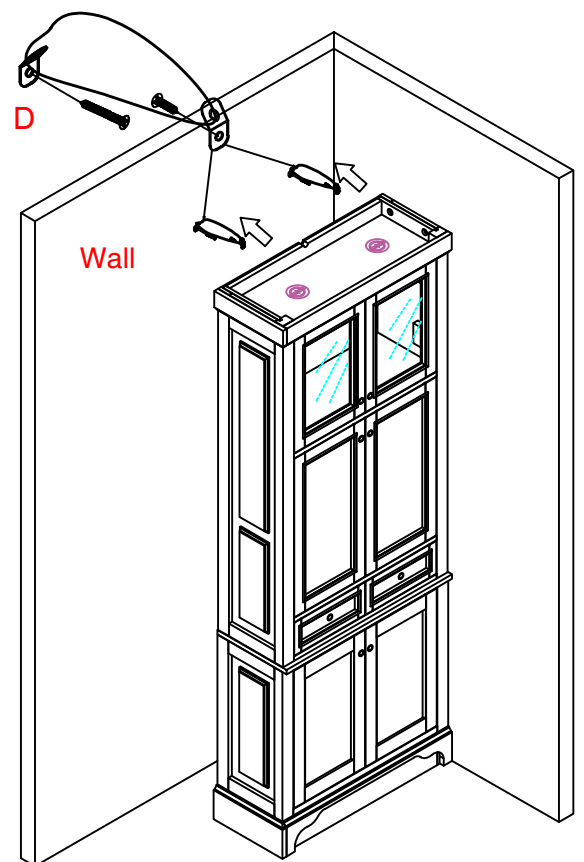


image (b)

IMPORTANT NOTE

To prevent accidental tip-over of these cabinets, you must follow these steps 4 and 5.

Step 4 Notes: Use Mending Plates (**C**) and Screws (**B**) to attach the 825-H30 Double Tower Hutch to the 825-HB30 Hutch Base.

Refer to image (a)

The mending plates(**C**) have been attached on the back of the Double Tower Hutch and screws (**B**) are included inside the specially marked red color hardware bag. (This hardware bag is included with the cabinet)

Step 5 Notes: Once you have moved these cabinets into their final position, Use the Wall Anchor Kit (**D**) to attach the top of the 825-H30 Double Hutch Tower to the wall.

Refer to image (b)

The Wall Anchor Hardware Kits (**D**) are included inside the specially marked white color hardware bags. (Two hardware bags are included with the cabinet)

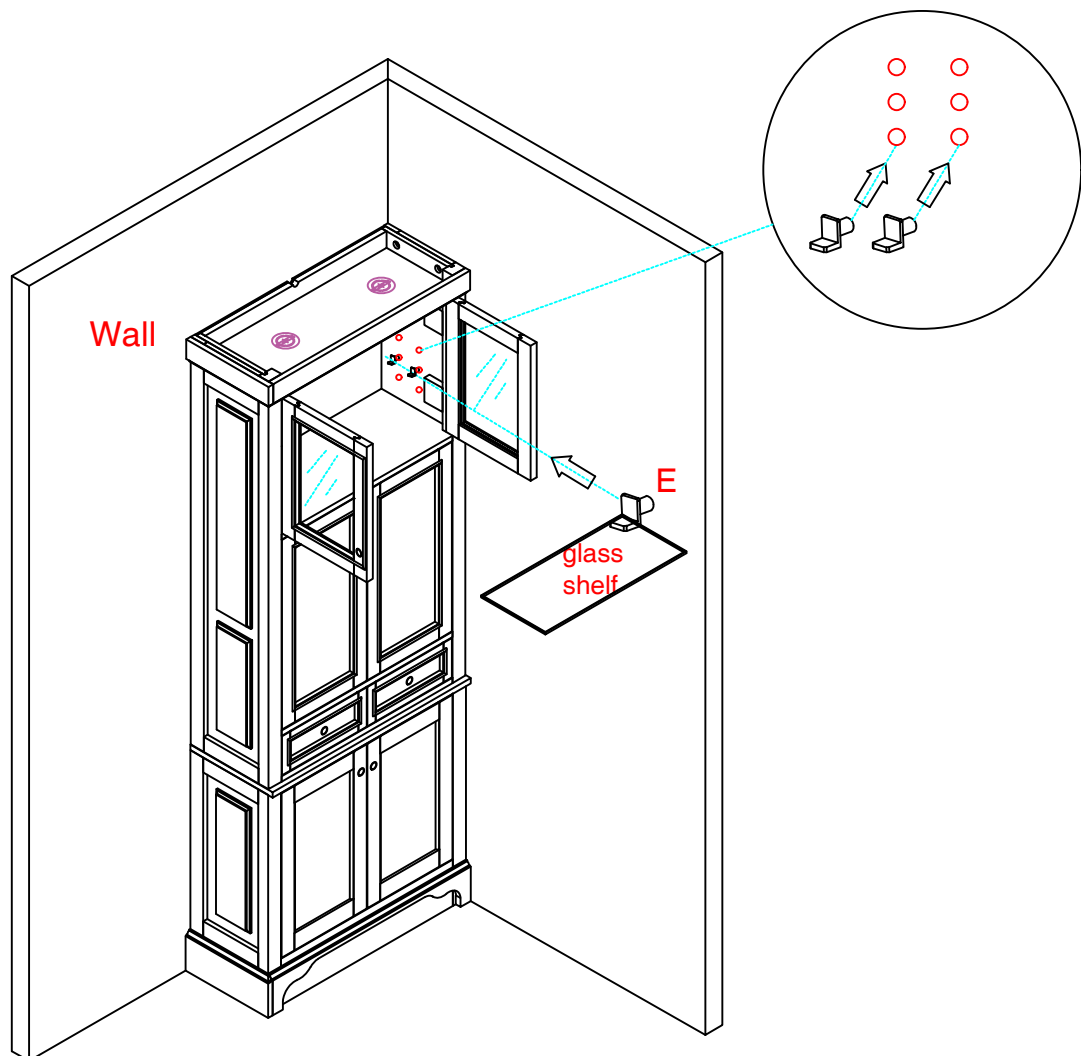


These instructions are for cabinet combination:

825-H30-BW De Soto Double Tower Hutch paired with 825-HB30 De Soto Hutch Base.

Assembly / Installation Instructions

E= 4 PCS



Note 5: Once you have successfully secured these cabinets to the wall, you place the glass shelf into position. The glass shelf is placed in the upper portion of Double Tower Hutch (behind the glass doors).

Step 6 Notes: Insert the Shelf Pins (C) into the pre-drilled holes on each side of the interior of the cabinet. There are three height levels so you can choose your ideal placement for the glass shelf. The Shelf Pins are included inside the specially marked red color hardware bag. (this hardware bag is included with the cabinet)



These instructions are for cabinet combination:

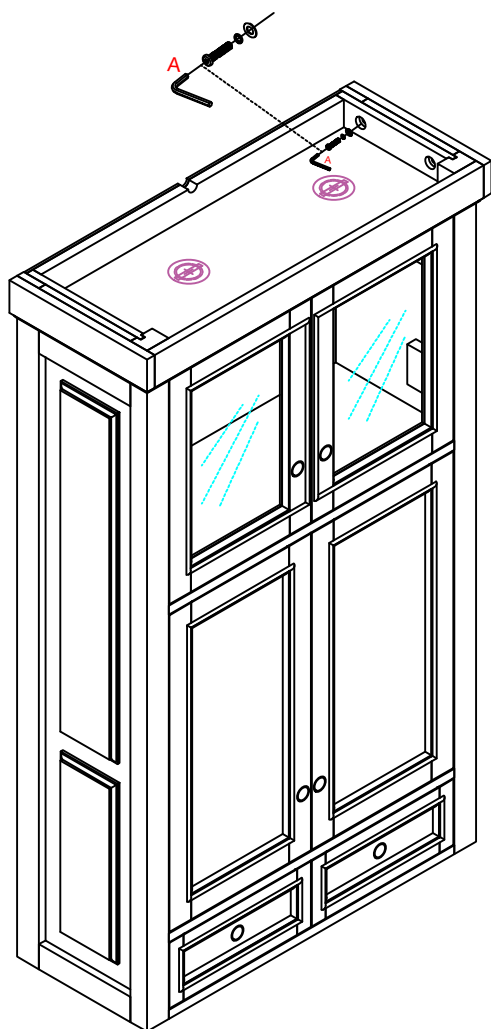
825-H30-BW De Soto Double Tower Hutch paired with 825-CU30-BW De Soto Countertop Unit.

Assembly / Installation Instructions

Important Notes:

You may remove the top crown moulding on either side if you wish to install these cabinets flush against a side wall. If you plan to use these cabinets as free-standing items, then please proceed to pages 03-05 of these instructions. If you plan to use these cabinets against a side wall (corner), then please follow instructions on all pages (01-05).

For your safety and to achieve the best possible installation of this vanity cabinet, James Martin Vanities always recommends you consult with a professional contractor. Two people are required for the assembly and installation of these cabinets.



A = 1 PC Allen Wrench (#4)



Note 1: If you plan to use your cabinets against a side wall, you will need to remove the side crown moulding to achieve flush installation.

Step 1 Notes: Remove the bolts and washers from the inside of the cabinet using the Allen wrench which is included inside the specially marked red color hardware bag. (this hardware bag is included with the cabinet).

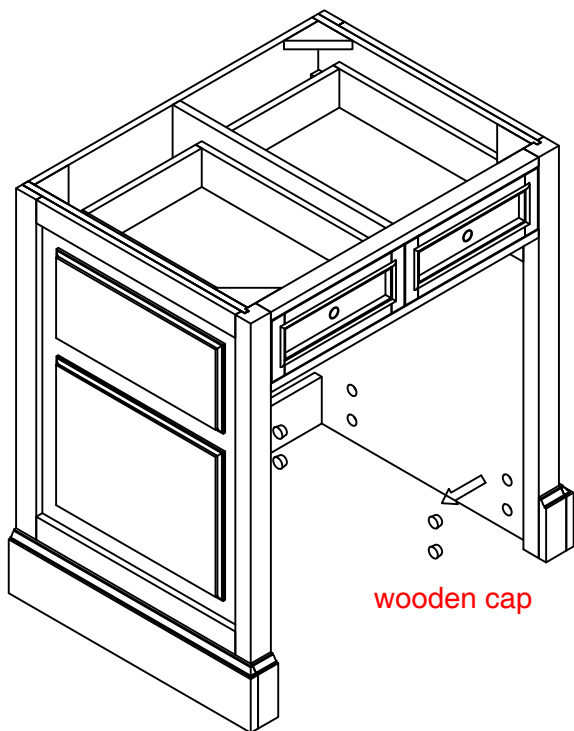
Note 2: You may wish to keep the side crown moulding piece and hardware for future use.



These instructions are for cabinet combination:

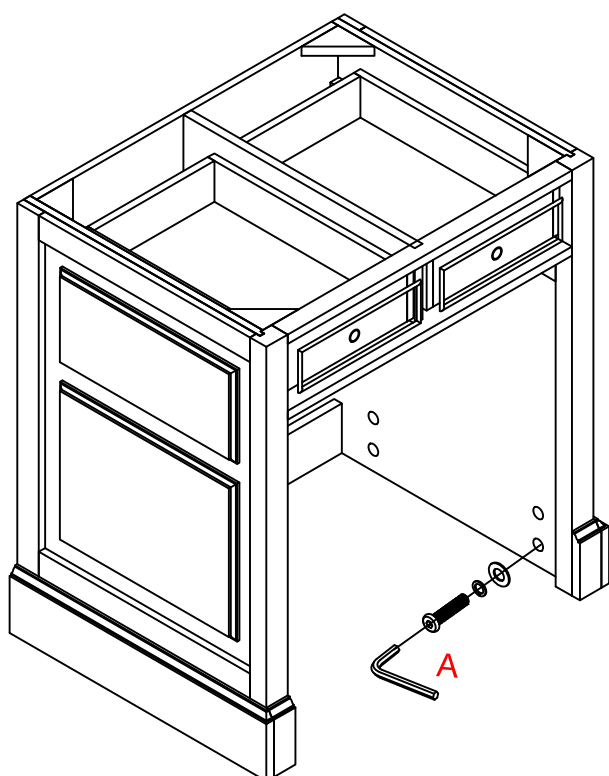
825-H30-BW De Soto Double Tower Hutch paired with 825-CU30-BW De Soto Countertop Unit.

Assembly / Installation Instructions



Noted 3: If you plan to use your cabinets (825-H30 + 825-CU30) against a side wall, you will also need to remove the side base moulding of 825-CU30 to achieve flush installation.

Step 2: To remove the side base moulding piece, you must first remove the wooden caps covering the access the bolts.



Step 3: Remove the bolts and washers from the inside of the cabinet using the Allen wrench which is included inside the specially marked red color hardware bag. (this hardware bag is included with the cabinet)

Step 3a: Once you have removed the side molding, you may place the cabinet against a side wall to achieve a "built-in" appearance for your cabinet.

Noted 4: You may wish to keep the side base moulding piece and hardwares for future use.

A = 1 PC Allen Wrench (#4)



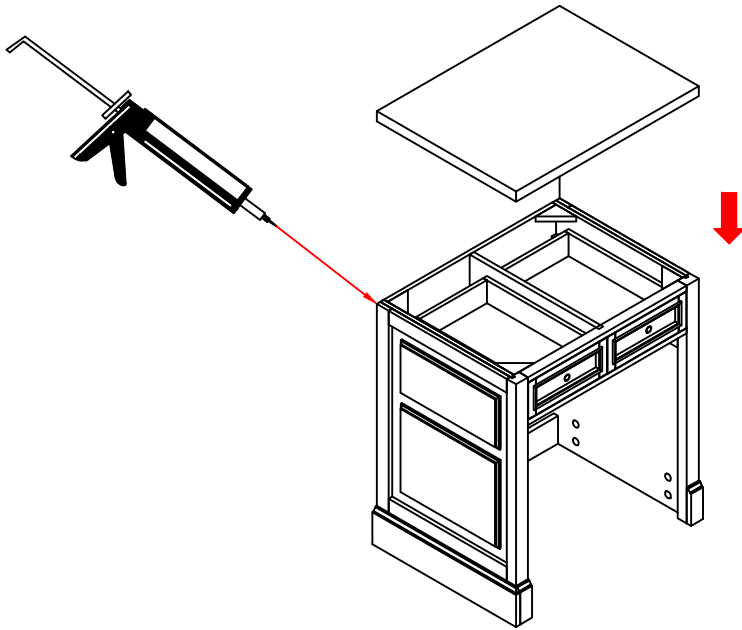
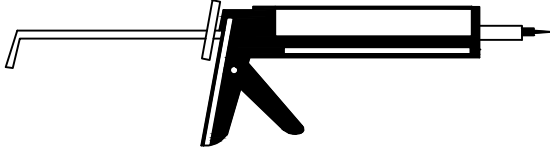


These instructions are for cabinet combination:

825-H30-BW De Soto Double Tower Hutch paired with 825-CU30-BW De Soto Countertop Unit.

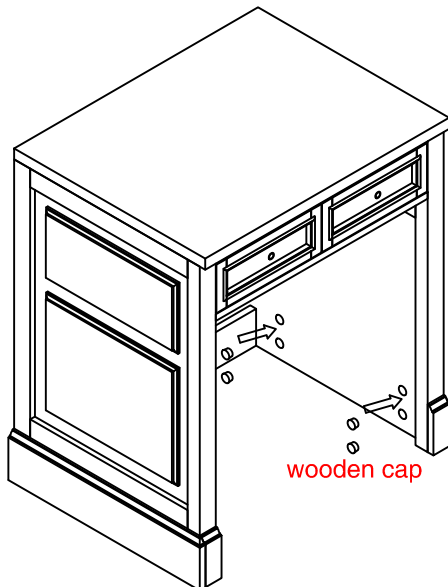
Assembly / Installation Instructions

**Materials
for
Installation:**



Step 4 Notes:

Properly align and secure the countertop to the cabinet with high quality adhesive.



Step 5 Notes:

Return the wooden caps to their original position to cover the holes required to access the bolts.

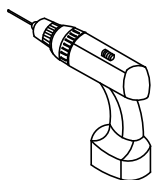


These instructions are for cabinet combination:

825-H30-BW De Soto Double Tower Hutch paired with 825-CU30-BW De Soto Countertop Unit.

Assembly / Installation Instructions

Materials for Installation:



Drill

B=8 PCS Screws Ø4*15mm



C=2 PCS Bracket 80*50*2mm



D=2 PCS Wall Anchor

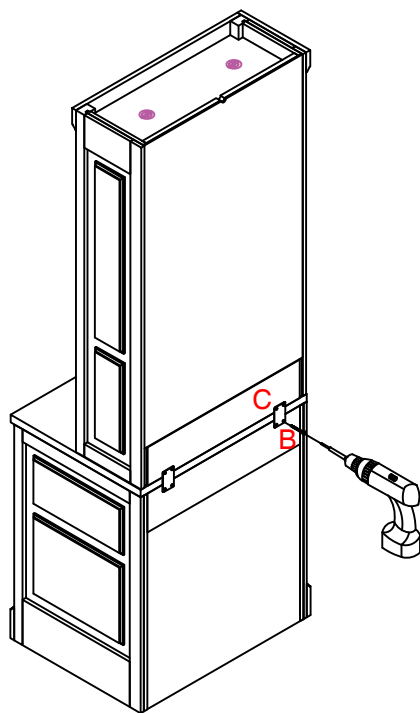


image (a)

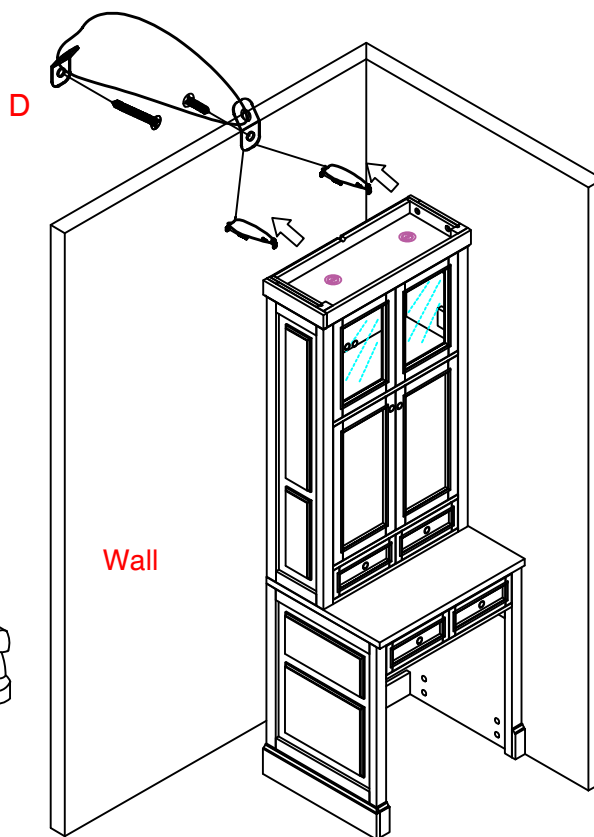


image (b)

IMPORTANT NOTE

To prevent accidental tip-over of these cabinets, you must follow these steps 4 and 5.

Step 6 Notes: Use Mending Plates (**C**) and Screws (**B**) to attach the 825-H30 Double Tower Hutch to the 825-HB30 Hutch Base.

Refer to image (a)

The mending plates(**C**) have been attached on the back of the Double Tower Hutch and screws (**B**) are included inside the specially marked red color hardware bag. (This hardware bag is included with the cabinet)

Step 7 Notes: Once you have moved these cabinets into their final position, Use the Wall Anchor Kit (**D**) to attach the top of the 825-H30 Double Hutch Tower to the wall.

Refer to image (b)

The Wall Anchor Hardware Kits (**D**) are included inside the specially marked white color hardware bags. (Two hardware bags are included with the cabinet)

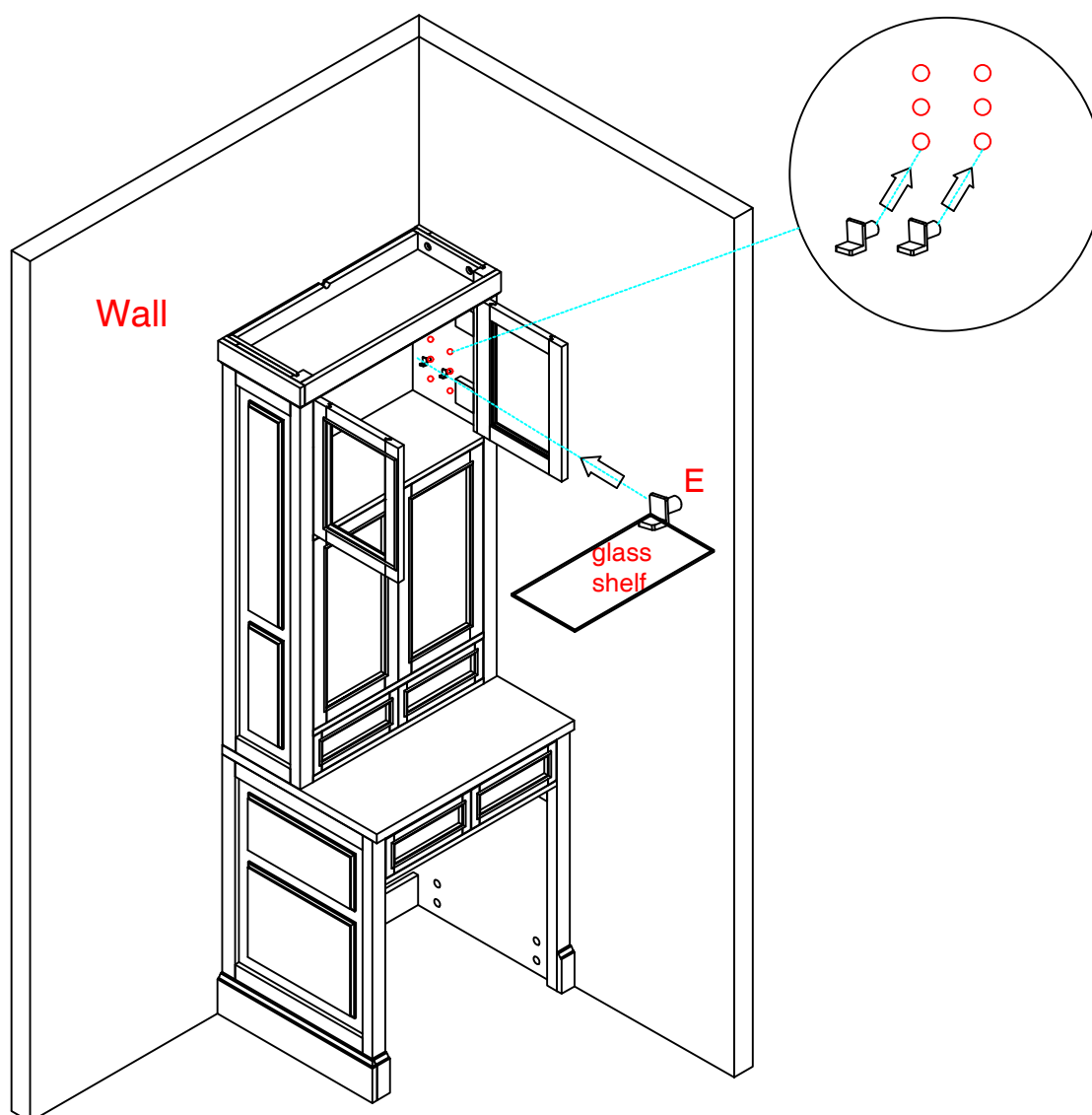


These instructions are for cabinet combination:

825-H30-BW De Soto Double Tower Hutch paired with 825-CU30-BW De Soto Countertop Unit.

Assembly / Installation Instructions

E=4 PCS



Note 5: Once you have successfully secured these cabinets to the wall, you place the glass shelf into position. The glass shelf is placed in the upper portion of Double Tower Hutch (behind the glass doors).

Step 8 Notes: Insert the Shelf Pins (C) into the pre-drilled holes on each side of the interior of the cabinet. There are three height levels so you can choose your ideal placement for the glass shelf. The Shelf Pins are included inside the specially marked red color hardware bag. (This hardware bag is included with the cabinet)