



REED

(E12)

60" x 32" x 21" END DRAIN

This comfortable bath has both head and arm rests while featuring a very large bathing area

FEATURES

- High-gloss/high-impact, UV-resistant acrylic will not dull or fade
- Installation: Drop-in
- Minimalist tub profile with a self leveling rim
- 1 person bathing well
- Lumbar support and sculpted armrests

AVAILABLE MODELS

- Soaker
- Whirlpool
- Air

OPTIONS

- Waste and overflows
- Spa pillows

COLORS

White, Biscuit

OPERATING GALLONS

40 (Approximate)

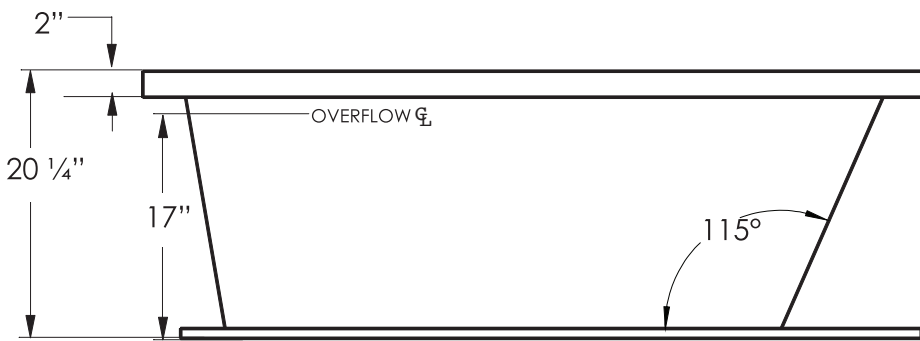
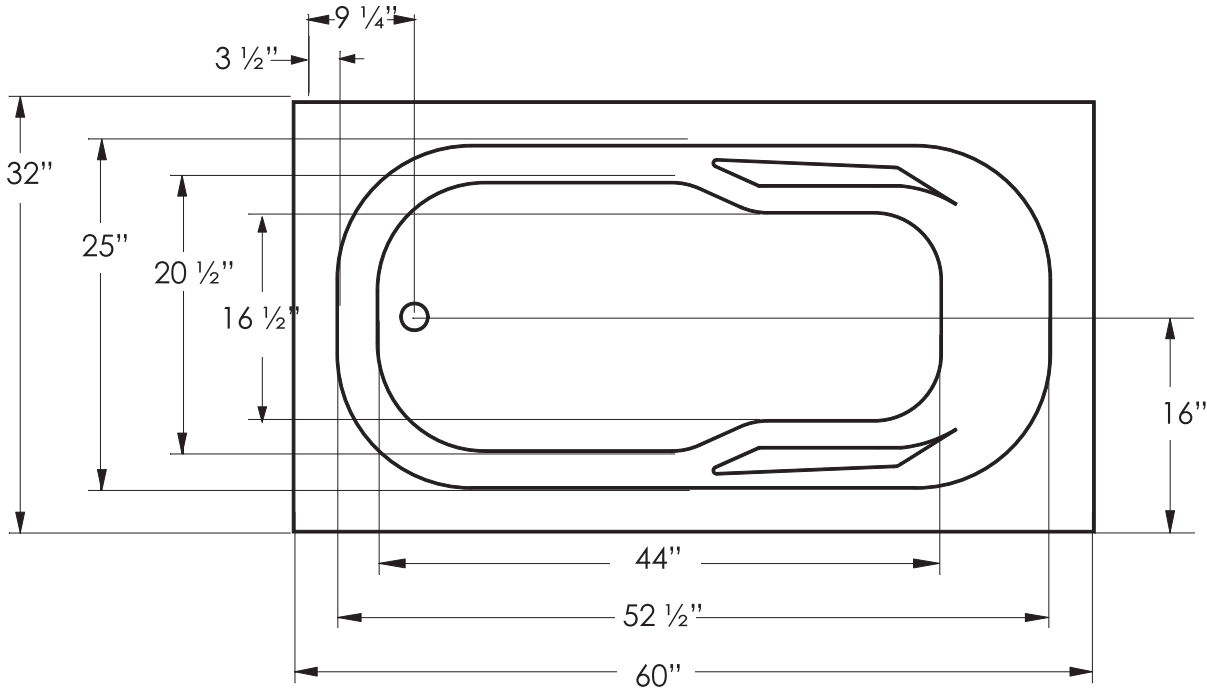


FOR INFORMATION
OR TO PLACE AN ORDER
CALL 1.800.288.7771


JETTACORP.COM


JETTA SOAK

JETTA SOAK HYDROTHERAPY | 60" x 32" x 21" | END DRAIN



ELECTRICAL SPECIFICATIONS

Required Electrical Service
110/115 Volts | 15 amp GFI

CODES/STANDARDS APPLICABLE

Specific model meets or exceeds the requirements for the following standards: ANSI, ASME

DROP-IN CUT OUT DIMENSIONS

Subtract 1" from length and width dimensions
Actual cut out dimension 59" x 31"

SHIPPING WEIGHT 150 lbs



*Required only if optional mood or LED light is specified

INSTALLATION: MEASURE TUB BEFORE BUILDING TUB DECK.

For best results, Jetta Corporation recommends 1"-3" of mortar bedding under the tub base for maximum support. Contact Jetta for details. Dimensional variance on drawings may be +/- 1/2 inch and are subject to change without notice.

JETTACORP.COM



© 2021 Jetta Corporation. All rights reserved. Specifications are subject to change without notice. REV 08/2021