

Affinity Collection

# J51L

60" X 36" X 21"

END DRAIN



JETTASOAK  
HYDROTHERAPY

# JETTA


# PORTER

**60" X 36" X 21" - RECTANGLE** (1 PERSON)

## FEATURES

- Suitable for drop-in or undermount applications
- High gloss/high impact acrylic
- Totally insulated with polyurethane foam
- Pre-leveled lip
- Slip resistant bottom
- Linear drain
- 10 year limited factory warranty

## OPTIONS AVAILABLE

- Mood or LED light
- Spa pillows
- 6" acrylic grab bars
- JettaWARM Heated Backrest 

## COLORS AVAILABLE

**Standard Color:** White

**Decorator Colors\*:** Bone, Biscuit, Black, Ice Grey

\*Require additional lead time

## RECOMMENDED OPERATING GALLONS

**Minimum:** 41

**Maximum:** 82

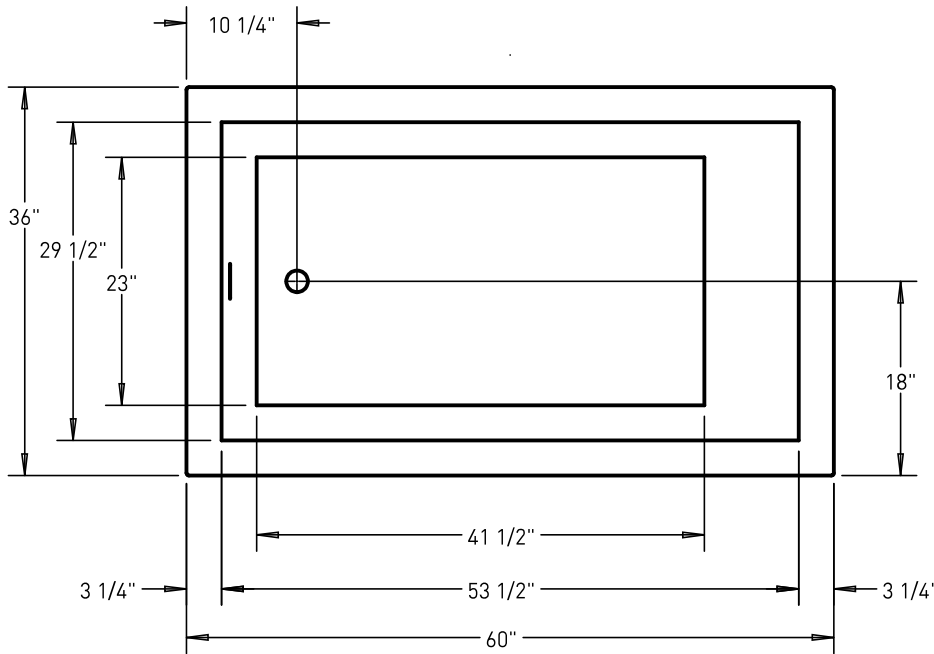
JETTACORP.COM



# J51L

# Affinity Collection PORTER

JETTA SOAK HYDROTHERAPY | 60" X 36" X 21" | END DRAIN



Note: optional pump/blower positions available.  
R/B for right side drain, L/B for left side drain



## ELECTRICAL SPECIFICATIONS\*\*

Required Electrical Service  
110/115 Volts | 15 amp GFI

## CODES/STANDARDS APPLICABLE

Specific model meets or exceeds the requirements for the following standards: ANSI, ASME.

## DROP-IN CUT OUT DIMENSIONS

Subtract 1" from length and width dimensions Actual cut out dimension 59" x 35"

SHIPPING WEIGHT 130 lbs

\*\*Required only if optional mood or LED light is specified



## INSTALLATION: MEASURE TUB BEFORE BUILDING TUB DECK.

For best results, Jetta Corporation recommends 1"-3" of mortar bedding under the tub base for maximum support. Contact Jetta for details. Dimensional variance on drawings may be +/- 1/2 inch and are subject to change without notice.

JETTACORP.COM



© 2020 Jetta Corporation. All rights reserved. Specifications are subject to change without notice.  
REV 09/2020

# TECHNICAL SPECIFICATIONS