

THIS TUB COMES IN THE FOLLOWING LINES

CLASSIC

# LOPEZ J-17

72" X 44" X 21" CENTER DRAIN



**JETTASOAK**  
HYDROTHERAPY

OVAL • 2 PEOPLE

**OPERATING GALLONS**  
REGULAR USAGE - 45 GAL.



## FEATURES

### GENERAL

- High-gloss, High-impact, UV-resistant acrylic will not dull or fade
- Suitable for drop-in or undermount application
- Slip resistant bottom

### COMFORT

- Armrests
- Lumbar back support
- Totally insulated with eco-friendly polyurethane foam for a warmer bathing experience

### CLEANLINESS

- Acrylic is easy to clean with standard non-abrasive household cleaning products

## OPTIONS AVAILABLE

- Mood or LED lights
- Bath waste & overflows
- Spa Pillows
- 6" acrylic grab bars

## COLORS AVAILABLE

### STANDARD COLORS

White, Biscuit

### DECORATOR COLORS

Bone, Black, Ice Grey

## WARRANTY

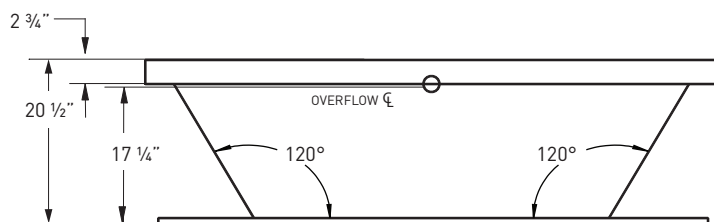
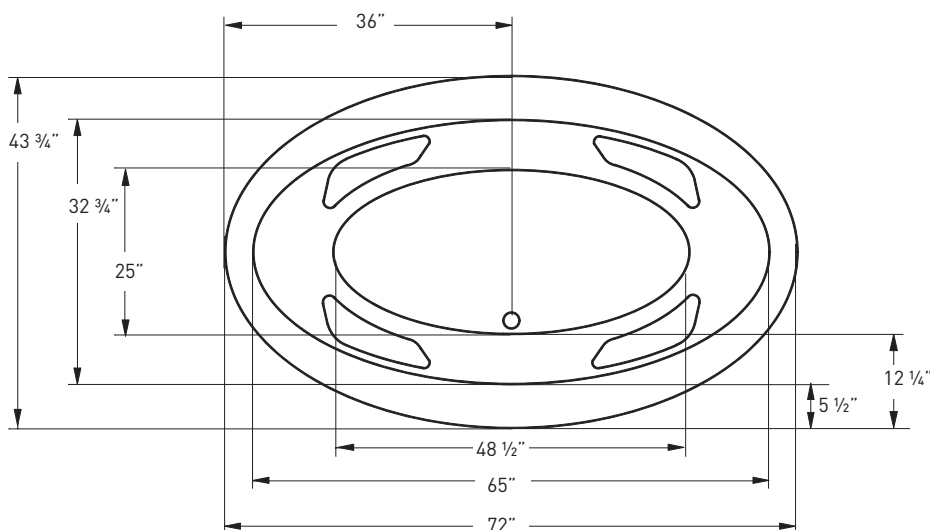
10-year limited factory warranty



# J-17

Classic Collection **LOPEZ**

**JETTA SOAK HYDROTHERAPY | 72" X 44" X 21" | CENTER DRAIN**



#### ELECTRICAL SPECIFICATIONS\*

Required Electrical Service  
110/115 Volts | 15 amp GFI

#### CODES/STANDARDS APPLICABLE

for the following standards: UL Listed\*\*, ANSI, ASME

#### DROP-IN CUT OUT DIMENSIONS

Template provided with tub or upon request.

**SHIPPING WEIGHT** 175 lbs



\*Required only if optional mood or LED light is specified

#### INSTALLATION: MEASURE TUB BEFORE BUILDING TUB DECK.

For best results, Jetta Corporation recommends 1"-3" of mortar bedding under the tub base for maximum support. Contact Jetta for details. Dimensional variance on drawings may be +/- 1/2 inch and are subject to change without notice.

JETTACORP.COM



© 2018 Jetta Corporation. All rights reserved. Specifications are subject to change without notice.  
REV 01/2018

## TECHNICAL SPECIFICATIONS