

LIVING DISTRICT

Collection: WREN

Installation manual for:

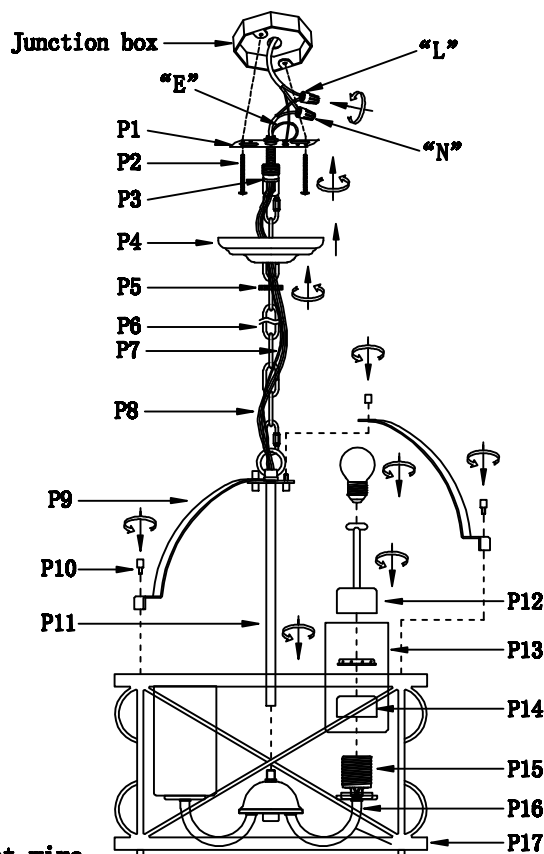
LD5013D16 D15.8"H17.3"L3

Installation instructions:

1. Install the rod (P11) on the lampbody (P16).
2. Use the finial (P10) to fix the metal bend slice (P9) with rod (P11) and the metal frame (P17) together
1. Black wire from ceiling (junction box) attaches to "L" wire from the fixture.
2. White wire from ceiling (junction box) attaches to "N" wire from the fixture.
3. "E" wire from the fixture is attached to the mounting bracket and an additional "E" wire from the mounting bracket must be secured to the junction box.
4. Secure mounting bracket to the junction box.
5. Insert screws (P2) in side of top unit the mounting bracket.
6. Fix the loop (P3) to screw tube, then cover the canopy (P4) and fix it by canopy ring (P5).
7. Install the lampshade (P13) on the lampholder (P15), then put the metal ring (P14) and use lampholder cover (P12) and lampholder outer ring to fix the glassshade.
8. Install the bulbs (not included) into the lamp fixture.

The end!

PARTS LIST



part	picture	Description	Qty	Check list
P1		L4" Mounting bracket	1	
P2		5/32-32 Screw	2	
P3		Canopy loop (Canopy part)	1	
P4		e6.3" canopy plat	1	
P5		Canopy ring (Canopy part)	1	
P6		L59" CHAIN04P Plain Design	1	
P7		ground wire	1	
P8		Power Cord 79" SPT-1-18# Brown	1	
P9		metal bend slice	3	
P10		finial	12	
P11		L13" rod	1	
P12		lampholder cover	1	
P13		D3.2"H5.5" glass lampshade	3	
P14		D2"H1" metal ring	3	
P15		E26 lampholder	3	
P16		D10.7"H4.5" lampbody	1	
P17		D15.8"H9.3" metal frame	1	

"L" = Hot wire
 "N" = Neutral wire
 "E" = Ground wire