

LIVING DISTRICT

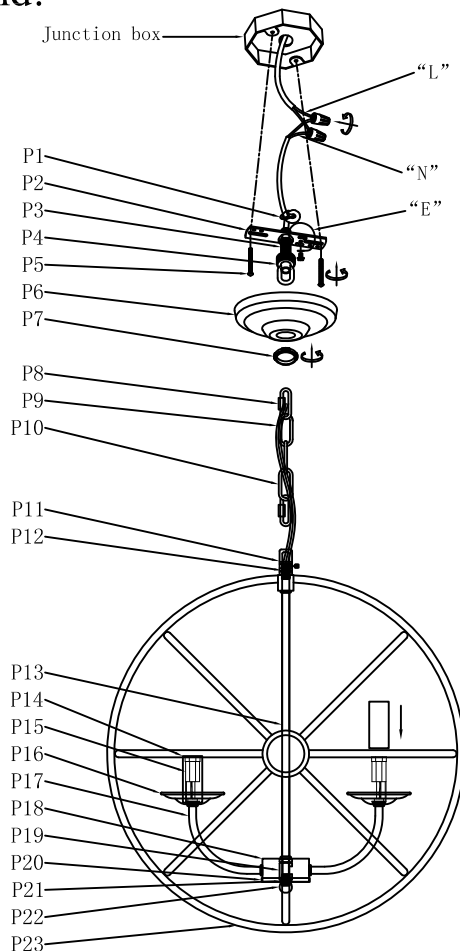
Collection: Octavia

Installation manual for:
LD4006D18 D18.1"H19.2"L4

Installation instructions:

1. Metal chain pass through canopy ring (P7) and canopy cover (P6) then hanging the quick link (P8) to canopy lock (P4) and the lamp body.
 2. Power cord need to pass through the chain, canopy ring (P7), canopy plat (P6), canopy lock (P4) and clasp (P1).
 3. Black wire from ceiling(junction box) attaches to "L" wire from the fixture.
 4. White wire from ceiling(junction box) attaches to "N" wire from the fixture.
 5. Insert screws (P5) in side of top unit the mounting bracket (P2).
 6. "E" wire from the fixture is attached to the mounting bracket and an additional "E" wire from the mounting bracket must be secured to the junction box.
 7. Using canopy ring (P7) lock the Canopy cover(P6).
 8. Put the candle cover (P14) in lamp holder (P15).
 9. Install the bulb(not included) in lamp holder (P15).
- The end!

PARTS LIST



"L" = Hot wire
"N" = Neutral wire
"E" = Ground wire

part	picture	Description	Qty	Check list
P1		Clasp	1	
P2		LA. 1" Mounting bracket	1	
P3		Threaded pipe	1	
P4		Canopy lock	1	
P5		5/32-32 Screw	2	
P6		5.5" Canopy cover	1	
P7		Canopy ring	1	
P8		Quick link	2	
P9		Power Cord 6.5' SPT-1 18# black	1	
P10		L59" CHAIN04	1	
P11		Loop	1	
P12		Threaded pipe	1	
P13		Thread pipe	1	
P14		1" * 2.4" Candle cover metal	4	
P15		E12 Lamp holder	4	
P16		3.2" Metal cover	4	
P17		Metal arm	4	
P18		2.3" Metal part	1	
P19		Hickey	1	
P20		2.4" Metal cover	1	
P21		Threaded pipe	1	
P22		Round Nut	1	
P23		Metal part	1	