

# LIVING DISTRICT

Collection: Aiken

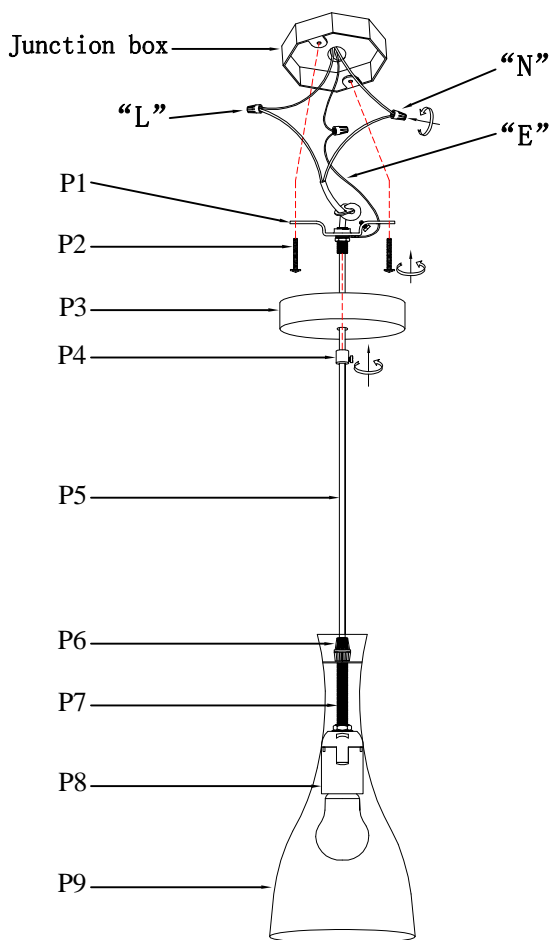
Installation manual for:

LD2407BN D5.5"H11.4"L1

## Installation instructions:

1. Black wire from ceiling(junction box) attaches to "L" wire from the fixture.
2. White wire from ceiling(junction box) attaches to "N" wire from the fixture.
3. "E" wire from the fixture is attached to the mounting bracket and an additional "E" wire from the mounting bracket must be secured to the junction box.
4. Secure mounting bracket to the junction box.
5. Insert screws(P2) in side of top unit the mounting bracket.
6. Fix the Canopy(P3) to the Mounting bracket(P1) and tighten by the Wirelock(P4).
7. Install the bulbs(bulbs not included) into the lampholder(P8).

The end!



"L" = Hot wire  
 "N" = Neutral wire  
 "E" = Ground wire

## PARTS LIST

part	picture	Description	Qty	Check list
P1		L4" Mounting bracket	1	
P2		5/32-32 Screw	2	
P3		ø4.7" Metal Canopy	1	
P4		Wire lock	2	
P5		Power Cord 60" 18# Black	1	
P6		Wire lock	1	
P7		Threaded pipe	1	
P8		E26 Lampholder	1	
P9		ø5.5" Lampshade	1	