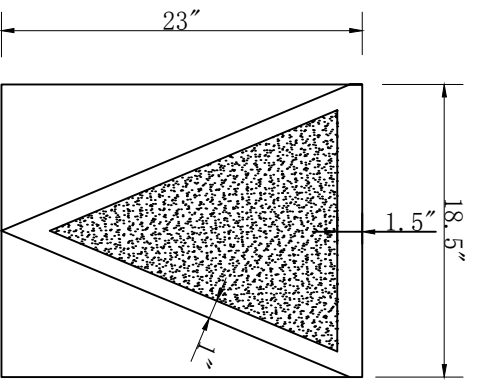
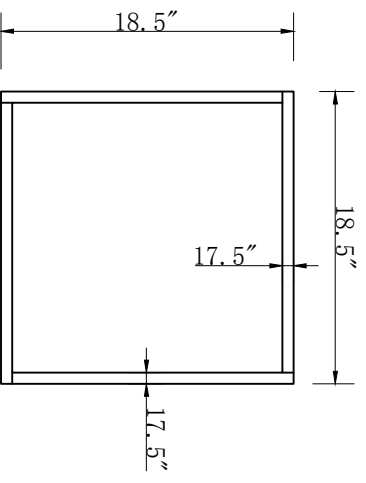


Front view



Side view



Top view

DWG. NO. :

MODEL NO. :
MF92008

ALTERATIONS

△	
△	
△	
△	

FOR PROPOSAL ONLY ALL DIMENSIONS TO BE VERIFIED

SCALE:

DWG. BY:

CHECKED BY:

DATE: Jan20th, 2018

PROJECT:

Qty:

Color:

DRAWINGTITLE:

FINISH:



Model #	MF92008	Doors Included	NO	"table top maximum weight"	66LBS	safety stop	N/A	Drawer Interior Depth"	N/A
Finish	Clear	Number of Doors	0	Table: seating capacity	N/A	felt lined drawers	N/A	cabinet interior width"	N/A
Hand Painted	Yes	Finished Back	YES	upholstery color	N/A	drawer glide extension	N/A	cabinet interior depth"	N/A
Mirror type	Clear Mirror	Hardware finish	Clear	upholstery pattern	N/A	drawer glide material	N/A	cabinet interior height"	N/A
Beveled glass	Yes	Assembly	NO	cushion material	N/A	drawer dividers	N/A	leg height"	N/A
Frame material	MDF	Product Width"	18.5"	base finish	Silver	Drawer Interior finish	N/A	leg width"	N/A
Solid wood construction	MDF	Product Depth"	18.5"	powder coated finish	No	Ball Bearing Glides	N/A	leg depth"	N/A
Drawers Included	YES	Product Height"	23"	base material	MDF	soft close drawer glides	N/A	gloss finish	NO
Number of Drawers	N/A	Package LENGTH"	23.2"	top material	Mirror	Number of cabinets	0	stackable	NO
Joinery Type	N/A	Package WIDTH"	23.2"	wood species	MDF	shelf height"	N/A	leg design	N/A
Drawer railing	N/A	Package HEIGHT"	28"	tip over restraint strap	YES	shelf width"	N/A	Armoires: mg slots	N/A
Drawer Width"	N/A	Package Weight(lbs)	64.5LBS	shape of top	Square	shelf depth"	N/A	Armoires: hooks	N/A
Drawer Depth"	N/A	Product Weight(lbs)	51.5LBS	lift top	NO	shelf thickness	N/A	armoires: mirror dimensions	N/A
Drawer Height"	N/A	Shipping Type	Small Parcel	shelf material	N/A	Any certification?	CARB	door thickness	N/A
Drawer Model	N/A	"table top width"	18.5"	adjustable shelves	N/A	California Proposition 65 warning required	YES	false drawers?	NO
Shelves	NO	table top finish	Clear mirror	Drawer Handle designs	N/A	Drawers Interior Height"	N/A	sink type	N/A
Number of Shelves	0	glass top tempered	NO	Door Knob Model	N/A	Drawer Interior Width"	N/A	# of faucet holes	N/A

DWG. NO.

MODEL NO:MF92008

SPEC NO:

QUANTITY:

DATE:Jan20th,2018

CHECKED BY:

FOR PROPOSAL ONLY ALL DIMENSIONS TO BE VERIFIED

PROJECT:

COULR:

FINISH:

REVISIONS



500-550E, Erie Avenue Philadelphia PA 19134 1-888-388-3390