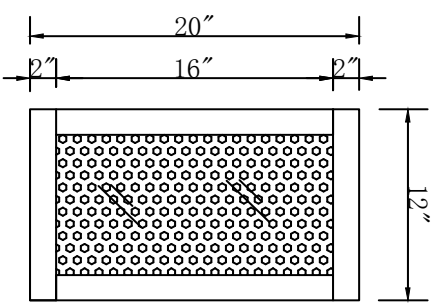
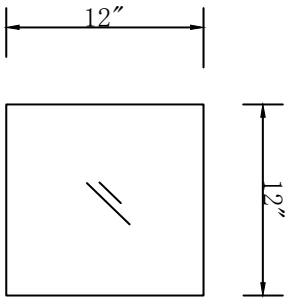


Front view



Side view



Top view

DWG. NO. :

MODEL NO. :
MF91016

ALTERATIONS

1	
2	
3	
4	

FOR PROPOSAL ONLY ALL DIMENSIONS TO BE VERIFIED

SCALE:

DWG. BY:

CHECKED BY:

DATE: Jun20th, 2017

PROJECT:

Qty:

Color:

DRAWING TITLE:

FINISH:



