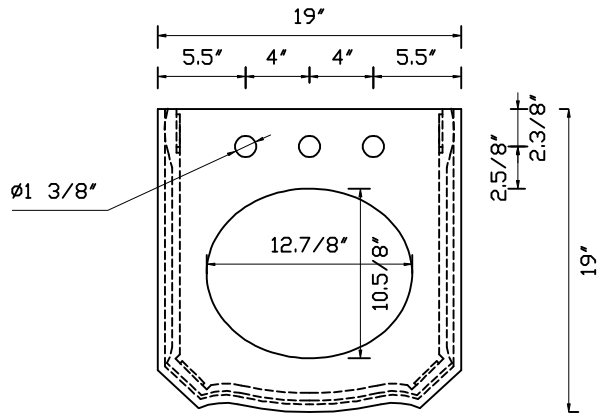
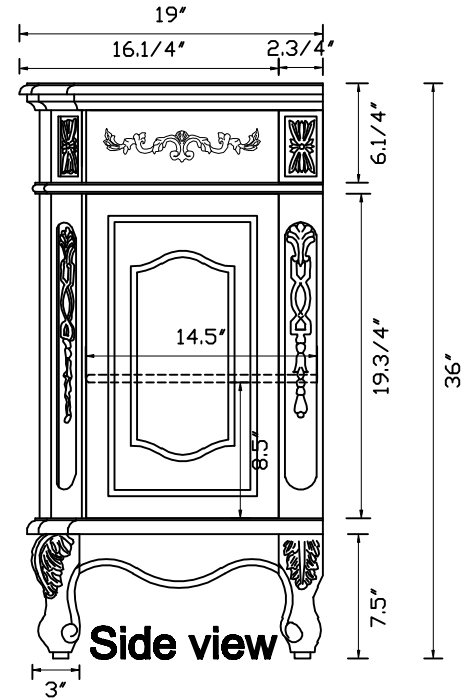


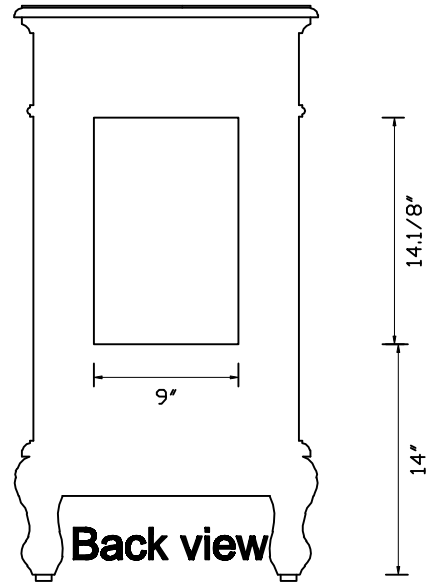
Front view



Top view



Side view



Back view

DWG. NO.
MODEL NO: VF10119VM
SPEC NO:
QUANTITY:
DATE: 12/16/2018
CHECKED BY:
FOR PROPOSAL ONLY ALL DIMENSIONS TO BE VERIFIED
PROJECT:
COLOR:
FINISH:
REVISIONS
①
②
③
④
⑤
⑥
ELEGANT FURNITURE & LIGHTING™
500-550 E. Erie Avenue Philadelphia PA 19134 1-888-388-3390

