

# LIVING DISTRICT

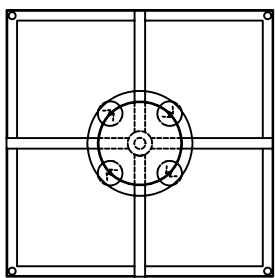
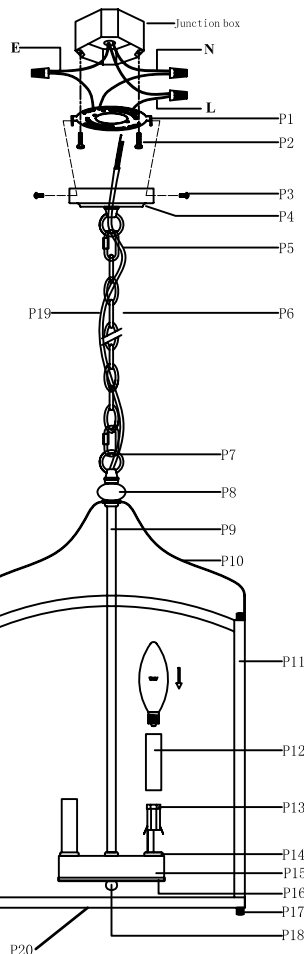
Collection: Janet

Installation manual for:

LD7070D15BK/BR L15"W15" H24" L4

## Installation instructions:

1. Black wire from ceiling(junction box) attaches to "L"wire from the fixture.
  2. White wire from ceiling(junction box) attaches to "N"wire from the fixture.
  3. "E" wire from the fixture is attaced to the mounting bracket and an additional "E" wire from the mounting bracket must be secured to the junction box.
  4. Secure mounting bracket to the junction box.
  5. Insert the mounting bracket screw(P2) into the mounting bracket (P1).
  6. Locking 3 pcs lamp frames(P10)、(P20)、(P11) by nut(P17).
  7. Connect chain(P6) to Toothed ring (P7), connect chain(P6) to canopy(P4).
  8. Use the screw(P3) to lock the lamp body to the mounting bracket (P1) on the ceiling.
  9. Put the socket tube(P12) on the socket (P13),and install E12 light source.(Bulbs not supplied)
- The end!



"L" = Hot wire  
 "N" = Neutral wire  
 "E" = Ground wire

Part	Picture	Description	Qty	Check list
P1		mounting bracket Φ4.53"*H0.59"	1	
P2		Mounting bracket screw	2	
P3		Screw	2	
P4		Canopy Φ4.72"*H1.02"	1	
P5		Activity buckle L1.5"*W0.78"*Φ0.15"	2	
P6		Hanging chain(CHAIN04P) L1.5"*W0.78"*L0.15"(Totallength 59")	1	
P7		Toothed ring W1.3"*H1.6", M10	2	
P8		Flat ball Φ1.57"*H0.91"	1	
P9		Rod L19.41"*Φ0.49"	1	
P10		Lamp frame L15"*W15"*H7.34"	1	
P11		Frame L15.91"	4	
P12		Socket tube Φ0.87"*H3.35"	4	
P13		E12 holder	4	
P14		Cover Φ0.98"*H0.19"	4	
P15		wire box Φ5.91"*H1.38"	1	
P16		Cover Φ5.98"*0.2"	1	
P17		Nut Φ0.39"*H0.39"	8	
P18		Nut Φ0.63"*H0.5", M10	1	
P19		UL18#SVT-3, L78.7"	1	
P20		Lamp frame L15"*W15"*H0.6"	1	