

LIVING DISTRICT

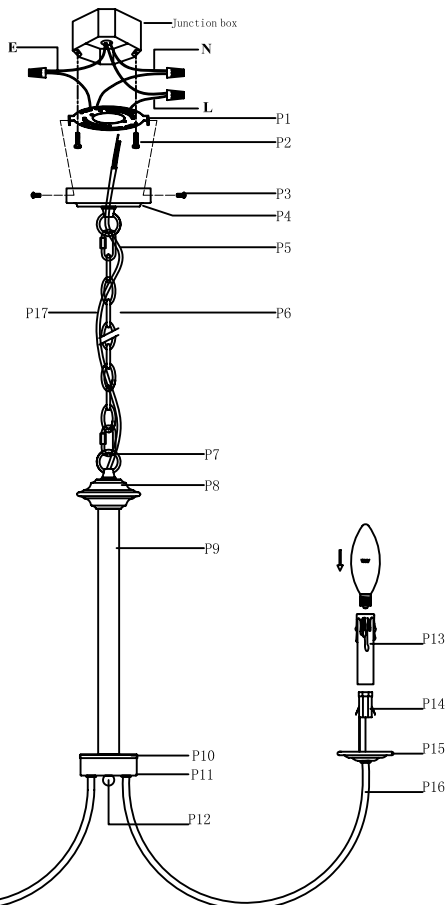
Collection: Brielle

Installation manual for:

LD7041D32BK D32" H25.8" L6

Installation instructions:

1. Black wire from ceiling(junction box) attaches to "L" wire from the fixture.
 2. White wire from ceiling(junction box) attaches to "N" wire from the fixture.
 3. "E" wire from the fixture is attached to the mounting bracket and an additional "E" wire from the mounting bracket must be secured to the junction box.
 4. Secure mounting bracket to the junction box.
 5. Twist tube(P9) to wire box(P11), connect chain(P6) to Toothed ring (P7), connect chain(P5) to canopy(P4)
 6. Separate and adjust the lamp arms, Use the screw(P3) to lock the lamp body to the mounting bracket(P1) on the ceiling.
 7. Put the socket tube(P13) on the socket (P14), and install E12 light source.(Bulbs not supplied)
- The end!



Part	Picture	Description	Qty	Check list
P1		mounting bracket Φ4.53"×H0.59"	1	
P2		Mounting bracket screw	2	
P3		Screw	2	
P4		Canopy (Φ4.72"×H1.02")	1	
P5		Activity buckle L1.5"×W0.78"×Φ0.15"	2	
P6		Hanging chain(CHAINOP) L1.5"×W0.78"×Φ0.15"(Total length 59")	1	
P7		Toothed ring W1.3"×H1.6", M10	2	
P8		Metal Box Φ3.5"×H1.7"	1	
P9		Tube L13.78"×Φ1.1"	1	
P10		Box cover Φ3.2"×0.2"	1	
P11		Wire Box Φ3.1"×H1.2"	1	
P12		Nut Φ0.63"×H0.5", M10	1	
P13		Socket Tube Φ0.98"×H3.94"	6	
P14		E12 holder	6	
P15		cover Φ3.15"×H0.47"	6	
P16		Lamp arm L14"×H8.7"	6	
P17		UL18#SVT-3, L78.7"	1	

"L" = Hot wire

"N" = Neutral wire

"E" = Ground wire