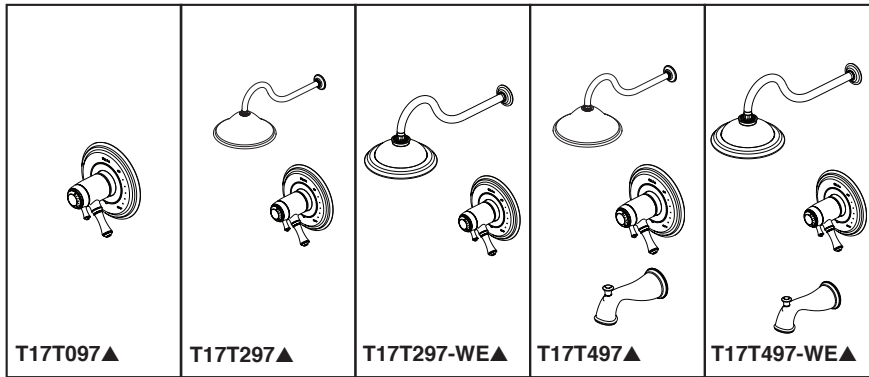




see what Delta can do™

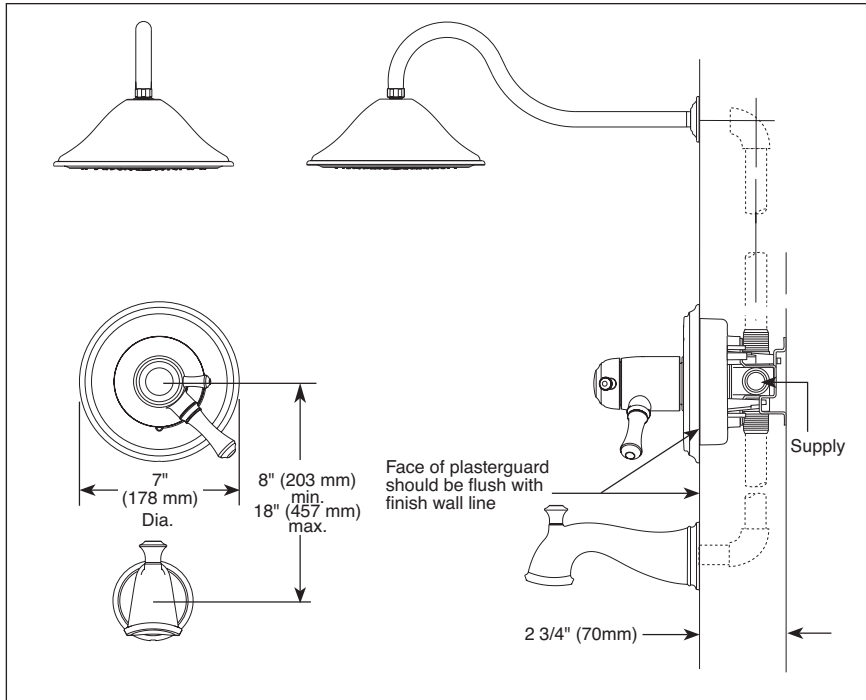
TUB AND SHOWER FAUCET TRIM



- Cassidy™ Series
- TempAssure® Thermostatic
- Valve Only (T17T097)
- Shower Only (T17T297)
- Tub/Shower (T17T497)

Submitted Model No.: _____

Specific Features: _____

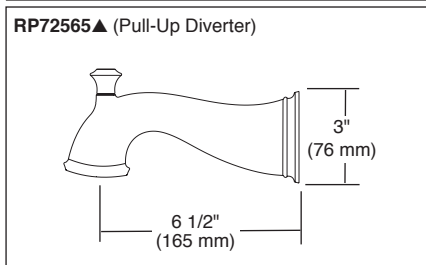
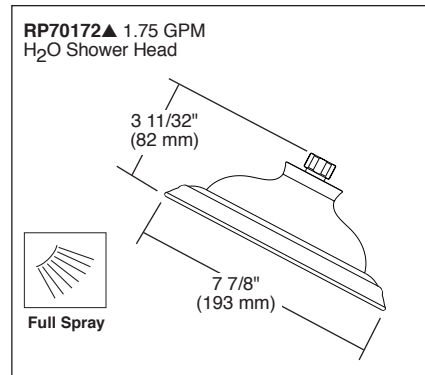


FEATURES:

- TempAssure® 17T thermostatic valve cartridge
- "-H2O" models include H₂Okinetic® Technology shower head (-WE models only)

STANDARD SPECIFICATIONS:

- Thermostatic wax element maintains the outlet temperature to ±3.6°F
- Must also order MultiChoice® Universal rough separately (R10000)
- Back-to-back installation capability
- Solid brass forged body
- Lever volume control handle; temperature adjustment dial
- Graphics indicate hot/cold temperature adjustment
- Field adjustable to limit rotation into hot water zone
- All parts are replaceable from the front of the valve
- Adjusts for up to 1" wall thickness
- Raincan shower head maximum 2.5 gpm @ 80 psi, 9.5 L/min @ 550 kPa
- -H2O shower head maximum 1.75 gpm @ 80 psi, 6.6 L/min @ 550 kPa
- Tub port maximum flow rate 8.6 gpm @ 60 psi with R10000-UNBX
- Available extension kit [RP75136 adds up to 1 3/8" installation depth
- Shower arm overall horizontal length = 16" (406 mm), including threaded ends



WARRANTY

- Parts and Finish - Lifetime limited warranty; or for commercial purchasers, 10 years for multi-family residential (apartments and condominiums) and 5 years for all other commercial uses, in each case from the date of purchase.
- Electronic Parts and Batteries (if applicable) - 5 years from the date of purchase; or for commercial purchasers, 1 year from the date of purchase. No warranty is provided on batteries.



COMPLIES WITH:

- ASME A112.18.1 / CSA B125.1
- ASSE 1016
- Indicates compliance to ICC/ANSI A117.1 - Valve control only
- EPA WaterSense® - Applies to T17T297-WE, T17T497-WE, RP70172 only

▲ Designate Proper Finish Suffix

Delta reserves the right (1) to make changes in specifications and materials, and (2) to change or discontinue models, both without notice or obligation. Dimensions are for reference only. See current full-line price book or www.deltafaucet.com for finish options and product availability.

DSP-B-T17T097 Rev. J

Delta Faucet Company

55 E. 111th Street, Indianapolis, Indiana 46280
 350 South Edgeware Road, St. Thomas, ON N5P 4L1
 © 2020 Delta Faucet Company