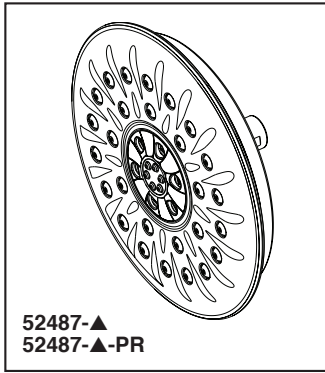




see what Delta can do™

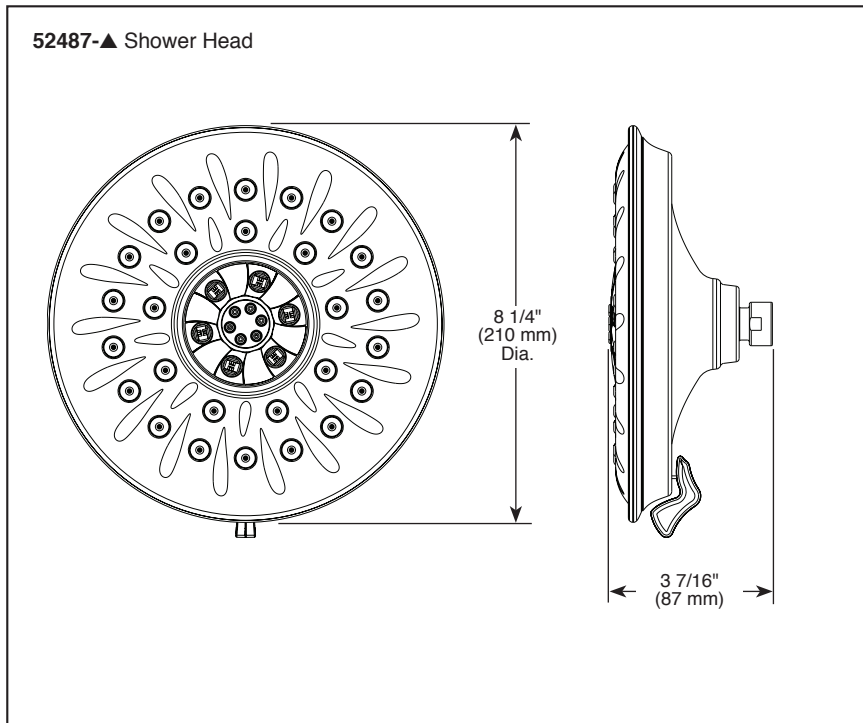
SHOWER HEAD

■ H₂Okinetic® Shower Head



Submitted Model No.: _____

Specific Features: _____



▲ Designate proper finish suffix

FEATURES:

- Touch-Clean® Nozzles
- H₂Okinetic® UltraSoak™ Spray
- H₂Okinetic® PowerDrench® Spray
- Lumicoat™ Finish (-PR models only)
- Lumicoat™ Finishes easily wipe clean without cleaners and chemicals on the products most commonly touched areas

STANDARD SPECIFICATIONS

- Maximum 1.75 gpm at 80 psi, 6.6 L/min @ 550 kPa
- Shower head with four spray patterns - pause is a non-positive shut-off
- Lever changes spray settings
- The ball joint swivel angle is 44° (22° per side)
- Metal ball connector for durability, easy installation
- Standard 1/2"-14 NPT pipe fitting

WARRANTY

- Parts and Finish - Lifetime limited warranty; or for commercial purchasers, 10 years for multi-family residential (apartments and condominiums) and 5 years for all other commercial uses, in each case from the date of purchase.
- Electronic Parts and Batteries (if applicable) - 5 years from the date of purchase; or for commercial purchasers, 1 year from the date of purchase. No warranty is provided on batteries.



COMPLIES WITH:

- ASME A112.18.1 / CSA B125.1
- EPA WaterSense®

Delta reserves the right (1) to make changes in specifications and materials, and (2) to change or discontinue models, both without notice or obligation. Dimensions are for reference only. See current full-line price book or www.deltafaucet.com for finish options and product availability.

DSP-B-52487 Rev. C

Delta Faucet Company

55 E. 111th Street, Indianapolis, IN 46280
350 South Edgeware Road, St. Thomas, ON N5P 4L1
© 2021 Delta Faucet Company