

NOKORI OVAL 6737

67" x 37" x 24" (FREESTANDING)

Nokori's sleek and delicate lines inspire peace and calm-offering an authentic invitation to unwind.



PRODUCT NO.

MODEL	TMU	TUB
Freestanding	BNOPOF00T-XX	BNOPOF00N-XX

THERMOMASSEUR (TMU) Hydro-thermo massage • Air jet system	\$
Jets	40
1 heated backrest	Included
MiaPlus® Control* (not installed)	Included
Geysair®	Included
AromaCloud®	N/A
Illuzio Chromatherapy BCHRO6	\$
2 nd heated backrest (WTS-1 zone) BSHB	\$

TUB Soaker	\$
AromaCloud®	N/A
Illuzio Chromatherapy BCHRO6	\$
WarmTouchShell® BWTS	\$
DOT control (not installed)	Included with therapy
2 nd WarmTouchShell® BWTS2	\$

FEATURES

Installation type	Freestanding		
No. of bathers	2	Imp. gallons	55
US gallons	66		

INTEGRATED WASTE & OVERFLOW [BOVERINI-XX](#)

White 01 , Chrome 07 , Brushed Nickel 09 , Polished Nickel 10	Installed & Included
---	----------------------

STANDARD COLOR

	Included
White 01	

OPTIONS (UPCHARGE APPLICABLE)

COLOR

	Black / White 66 NEW	\$
---	---	----

FINISH

UltraVelour Matte Finish (White only) BVEL	\$
--	----

INTEGRATED WASTE & OVERFLOW [BOVERINI-XX](#)

Matte Black 19 , Black Chrome 12 , Satin Brass 18	\$
---	----

CONTROL* (TMU only)

MiaMulti® BMIAM2-XX	\$
-------------------------------------	----

ISLAND TUB DRAIN™**

Island Tub Drain™ BISLDD	\$
Cast Iron Island Tub Drain™ BISLDDCI	\$

IF REQUIRED BY CONSTRUCTION CODE OR INSTALLED WITH ITD

Brass waste & overflow kit BDRCOB	\$
Brass waste kit BDRCB	\$



* Control must be wall-mounted. Faucets must be freestanding or wall-mounted.

** An Island Tub Drain™ is required when there is no access under the bath.

TOTAL PRICE \$

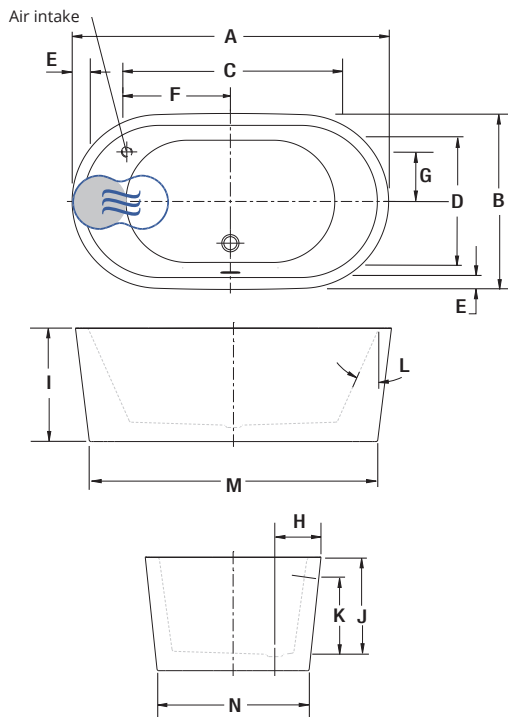


NOKORI OVAL 6737 (FREESTANDING)



Black / White color NEW

INSTALLATION



LETTER	DESCRIPTION	MEASURE
A	Total length	66 1/2"
B	Total width	37"
C	Bathing well length	45 3/4"
D	Bathing well width	26 1/4"
E	Deck width	2 7/8"
F	Distance from air intake to center of drain (long axis)	21 3/4"
G	Distance from air intake to center of drain (trans axis)	10 3/8"
H	Distance from center of drain to deck side	9 3/4"
I	Total height	24"
J	Height from drain to top of deck	20 1/2"
K	Height from drain to center of overflow	16 1/8"
L	Slope of backrest	24°
M	Base length	60 3/4"
N	Base width	32"

- Indicates heated backrest (TMU)
- ☞ Indicates WarmTouchShell® position (TUB)

TECHNICAL SPECIFICATIONS

Hot water supply required	Should be 70% of water capacity of TUB or greater.
Turbine	Access to the pump must be at least 18" x 22". Standard connection is 20 A, 120 V, 60 hz , dedicated line with a Ground-Fault Circuit Interrupter (GFCI). For any additional option, a second line is needed 15 A, 120 V, 60 hz , dedicated line with a GFCI. Air vent necessary: 8 sq. in. minimum.
Others	<ul style="list-style-type: none"> - Faucet must be freestanding or wall-mounted. - Controls cannot be installed on the bath. - The turbine should be remotely installed. - Detailed plan available on bainultra.com.

Our products must be installed by certified professionals only and according to our Owner's Manual as well as federal, provincial/state and local building codes and regulations (www.bainultra.com/documentation/documentation).

Approx. shipping weight	270 lbs
Turbine power	550 W
Air heater	600 W
WARRANTY	
Controls-LED-Geysair*	5 years
Bath & turbine*	20 years

* Some restrictions apply | www.bainultra.com/warranty



The specifications shown indicate the outer edge dimension and the inside bathing capacity dimension measured at air jets' height. The manufacturer accepts a 1/4" [0.64 cm] variance. There are variations on each product and specifications are subject to change as we improve upon our product as required. The dimensions needed for site preparation and structure building will differ. BainUltra® assumes no responsibility for preparatory work done prior to the product being on site.